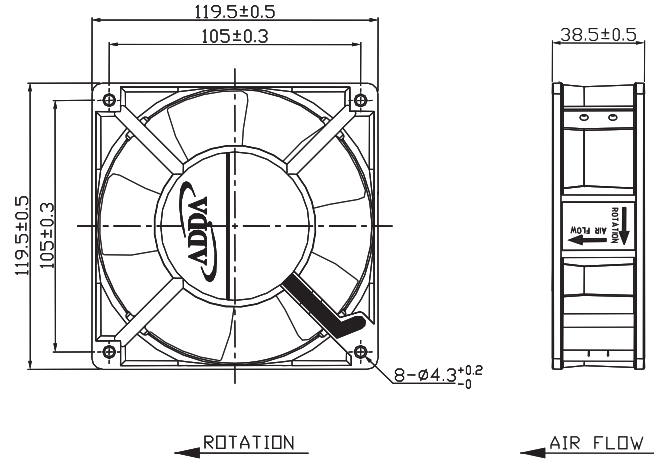




# AA12038 UB(CF) SERIES

## External Dimensions



Frame: Aluminum Alloy  
 Impeller: Plastic (UL: 94V-0)  
 Motor Structure: Shaded Pole Induction Motor.  
 Rotational direction CCW looking at rotor.  
 Lead wire: UL 1430 AWG22  
 OPERATING TEMP\*: -10°C ~ 70°C  
 \*: -10°C ~ 60°C for fans with sleeve/ball combination bearings.

## Specifications(Nominal)

\*: Noise is measured at the distance of one (1) meter from the axis of intake.

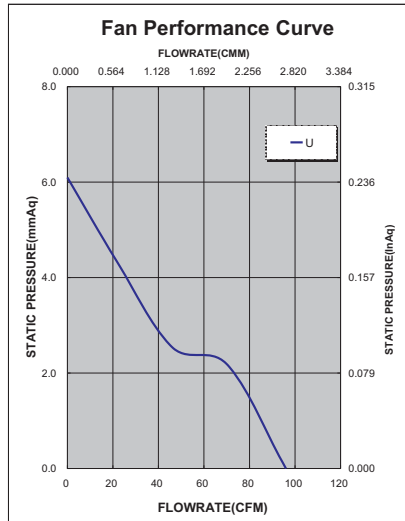
Bearing type: ◎=Ball ※=Sleeve ○=1B1S ●=Hypro bearing

Frame size (mm)	Model No.	Bearing System Type	Volt. (VAC)	Freq. (Hz)	Current (A)	Power (W)	Rated Speed (rpm)	Maximum AirFlow (CMM)	Maximum AirFlow (CFM)	Maximum Pressure (InAq)	Maximum Pressure (mmAq)	*Noise Level (dB/A)	Weight (g)
120x120x38	AA1281UB-AT(CF)	◎ ※ ●	115	50/60	0.28/0.24	21.20/19.20	2400/2600	2.720/3.030	96.00/107.00	0.240/0.250	6.096/6.350	46.4/48.1	550
	AA1282UB-AT(CF)	◎ ※ ●	230	50/60	0.14/0.12	17.50/19.80	2400/2600	2.720/3.030	96.00/107.00	0.240/0.250	6.096/6.350	46.4/48.1	550

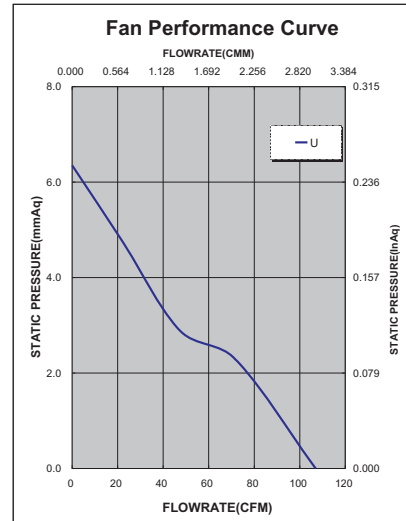
Specifications subject to change without notice.

The specification for bearing type is for reference only, for more bearing types information, please contact with your ADDA sales representative, thanks!!  
 (網頁上呈現產品軸承資訊均以2Ball為主, 若需其他產品資訊請聯絡您在ADDA的業務代表, 謝謝!!)

50Hz



60Hz



\*Safety approvals

✓	✓		✓	✓