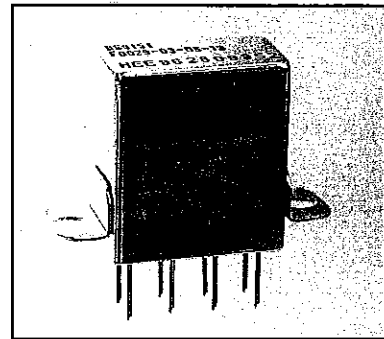
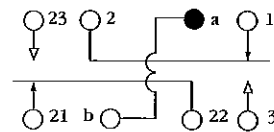


HDD1/BS9151F0029
2PDT CRYSTAL CAN RELAY

- Hermetically Sealed
- BS9000 approval
- Suitable for low level applications
- Double compartment sealing



Wiring Schematic



Specifications

GENERAL

CONTACT ARRANGEMENT

2 POLE CHANGEOVER (2PDT) BREAK BEFORE MAKE

WEIGHT

18 gm (mounting style 01)

MATING BASESSOLDER CONTACTS - ORDER PART NO. 4223-1
CRIMP CONTACTS - ORDER PART NO. 420204

PERFORMANCE

CONTACT RATING/LIFE2A resistive, 10⁹ operations at 28 VDC
1A resistive, 10⁹ operations at 115 VAC 400 Hz
1A inductive, 10⁹ operations at 28 VDC
Low level 10⁶ operations**OPERATE TIME**5 ms max. at 20°C with nominal voltage
(excluding bounce)**RELEASE TIME**3 ms max. at 20°C with nominal voltage
(excluding bounce)**BOUNCE TIME**

3 ms max at 20°C with nominal voltage

ENVIRONMENTAL

TEMPERATURE RANGE

-65°C to +125°C

BUMP4000 bumps at 390 m/s², 6 ms duration**SHOCK**490 m/s² for 11 ms**VIBRATION**60 to 2000 Hz at 147 m/s² acceleration
10 to 60 Hz at 1mm amplitude**CLIMATIC**

BS 2011 test Z/ABDM procedure 1

SALT MIST

BS 2011 part 2.1 Kb severity 2

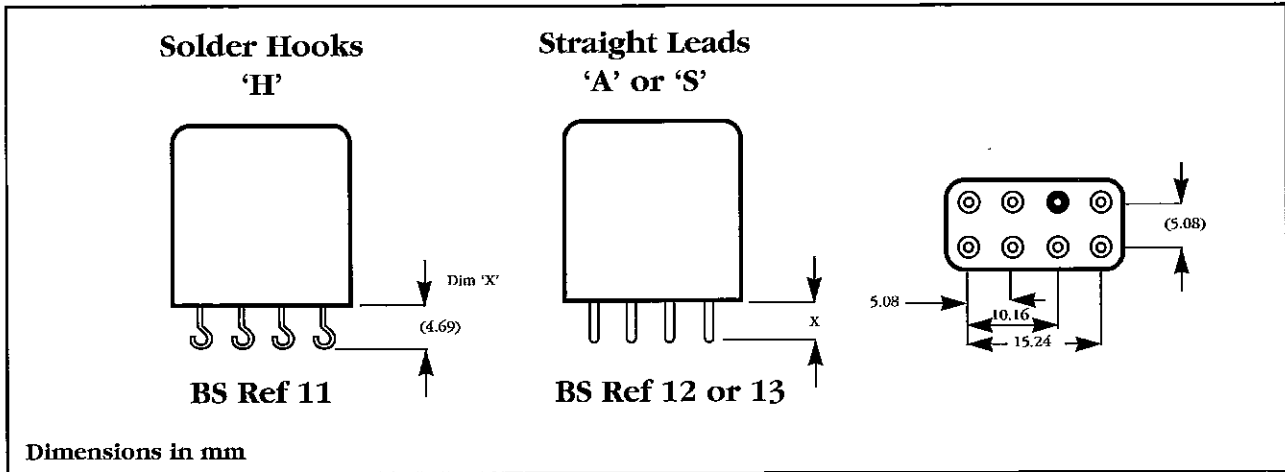


RELAY DATA SHEET

ELECTRICAL

CONTACT RESISTANCE	50 milliohms max Measured at low level (10 mV)
INSULATION RESISTANCE	500 Mohms minimum at 500 VDC
DIELECTRIC STRENGTH	750 VRMS, 50 Hz at sea level 350 VRMS at 70,000ft
COIL SENSITIVITY	Min operate power 100 mW
CAPACITANCE	Contacts to case 1.4 pF Between open contacts 0.3 pF Between contact sets 0.2 pF Coil to case 24 pF

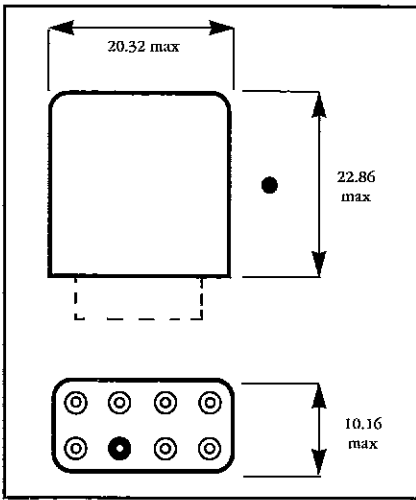
TERMINATION VARIANTS



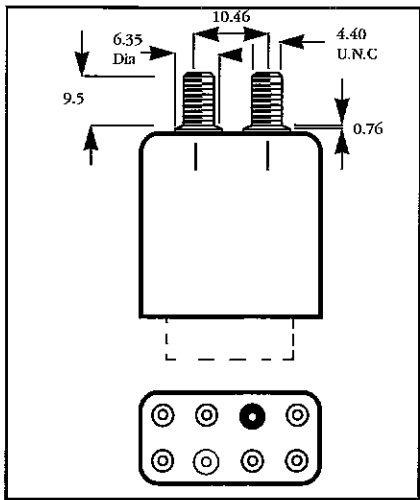
HD	BS	Type	Dim. X mm.
H	11	Solder Hook	4.69
S	12	Straight Lead	5.08
A	13	Straight Lead	7.92

MOUNTING VARIANTS

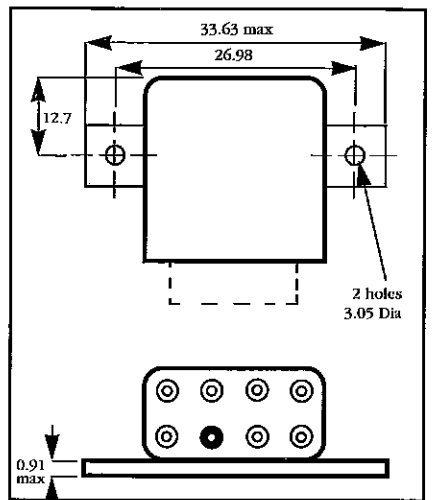
HD Style 01 BS Style 01



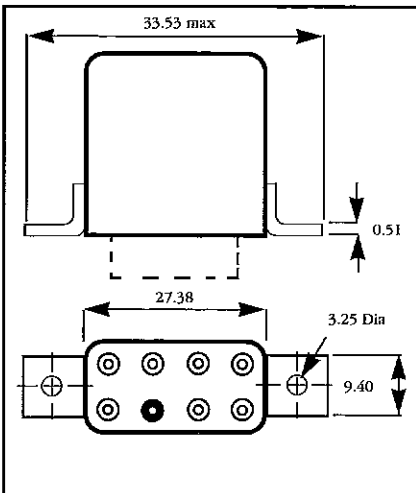
HD Style 15 BS Style 02



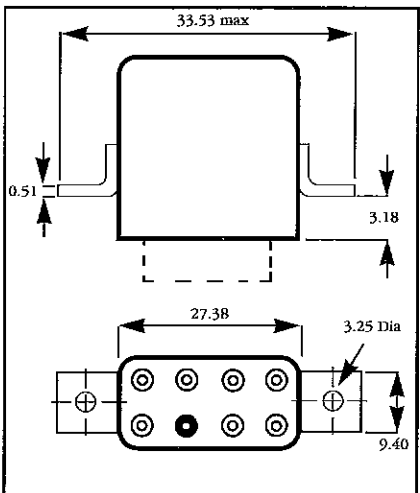
HD Style 09 BS Style 03



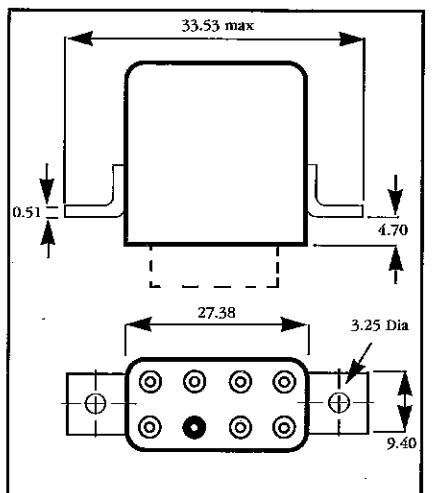
HD Style 02 BS Style 04



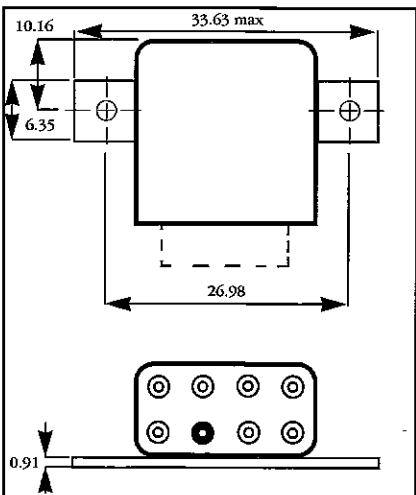
HD Style 03 BS Style 05



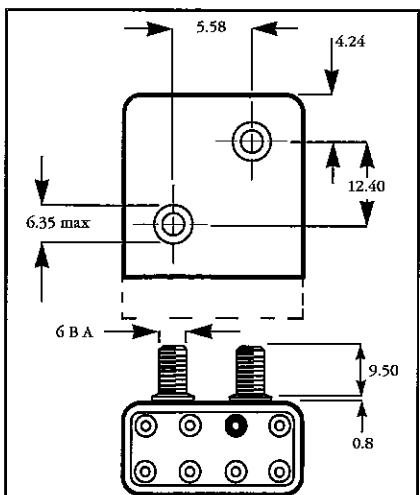
HD Style 06 BS Style 06



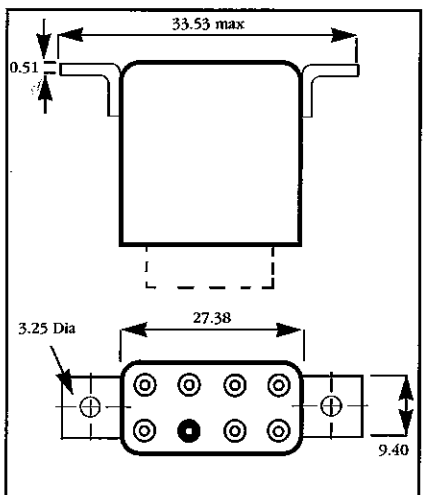
HD Style 07 BS Style 07



HD Style 13 BS Style 09



HD Style 19 BS Style 10



All dimensions throughout are in millimeters.

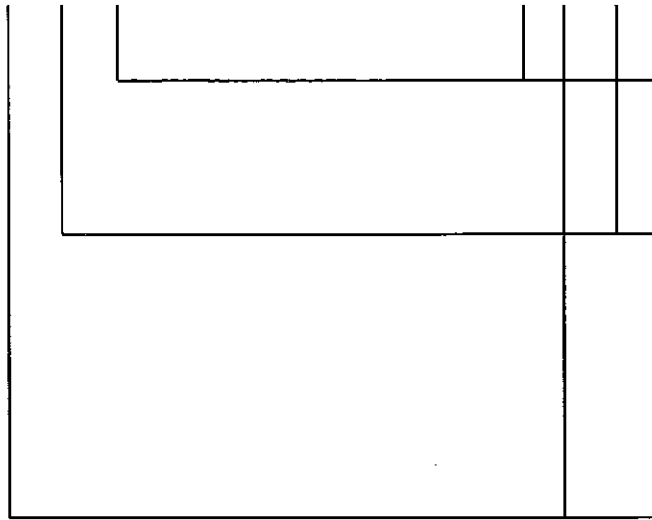
• Blue bead

ORDERING INFORMATION

BS9151F0029 -02 -01 -12

HDD1S-C2-E01

BS = HD



Termination Variant
(Refer to page 2)

11 = H
12 = S
13 = A

Mounting Variant
(Refer to page 3)

01 = 01
02 = 15
03 = 09
04 = 02
05 = 03
06 = 06
07 = 07
09 = 13
10 = 19

Coil Variant
(Refer to table below)

01 = B2
02 = C2
= D2
03 = E2
04 = M2
05 = F2
06 = J2
07 = G2

COIL VARIANTS AND OPERATING CHARACTERISTICS

HD Coil Reference	Nominal Operate Voltage VDC	Coil Resistance Ohms +/-10% at 20°C	Must operate Current mA	Must Drop Out Current mA	BS Coil Reference
B2	3	31.25	56.8	5.6	01
C2	6	125	28.4	2.8	02
D2	9	280	18.9	1.9	-
E2	12	500	14.2	1.4	03
M2	17	1000	10.0	1.0	04
F2	24	2000	7.1	0.7	05
J2	32	3555	5.3	0.5	06
G2	48	8000	3.6	0.3	07

All values are measured at 25°C



Castleham Industrial Estate, 4 Stainer Road,
St Leonards on Sea, East Sussex TN38 9RF England

Telephone +44 (0)1424 852721

Fax +44 (0)1424 851532

Email deutsch@deutsch.co.uk

Web www.deutschltd.com