

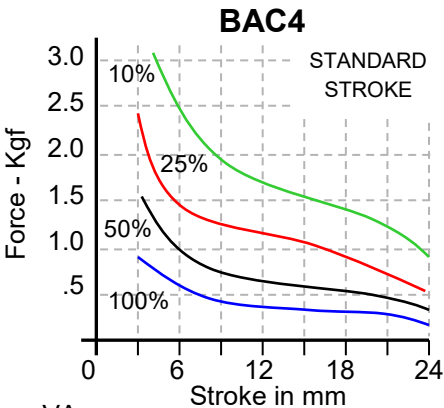
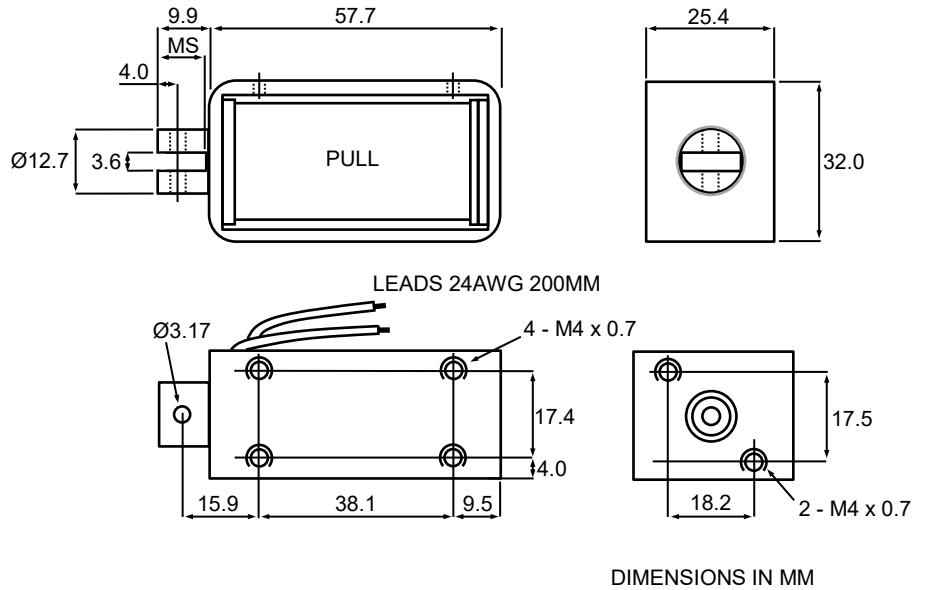
B4
AC & DC LINEAR SOLENOID

Equivalent to BLP 42 Series
Pull Type
42 120 610 540 = BDC4/175/6/100%
42 120 610 620 = BDC4/176/12/100%
42 120 610 720 = BDC4/177/24/100%

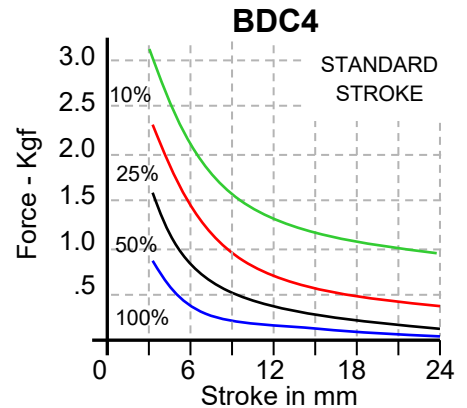
Solenoid shown in energised position

MS = Milled Slot
BDC4 - 9.5
BDC4L - 10

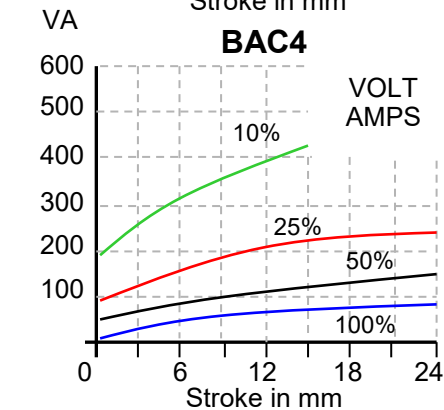
Weight complete 248g
Plunger weight 63g max



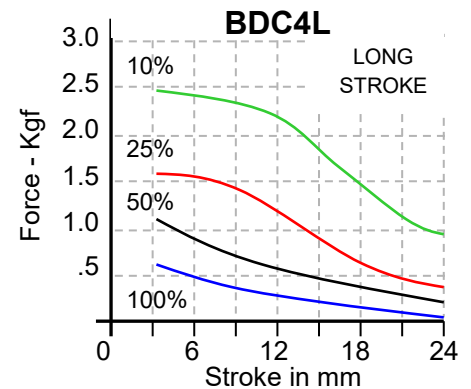
Forces shown are at working temperature
Cold forces are higher



AC Closed VA
100% Rtg = 17VA
50% Rtg = 34VA
25% Rtg = 68VA
10% Rtg = 200VA



DC Watts
100% Rtg = 11W
50% Rtg = 22W
25% Rtg = 44W
10% Rtg = 110W



** Please note: Fixing, plunger coupling, thrust rods and lead length can all be customised **
We reserve the right to alter or amend designs without prior notice.