

08038DA (3115FB)

DC Axial Fan

80[□]X38^L



General Specifications

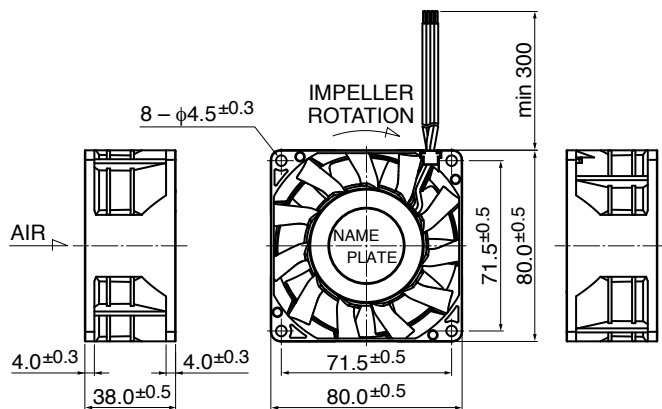
Motor Protection	Auto Restart / Polarity Protection
Insulation Resistance	10MΩ or over with a DC500V Megger
Dielectric Withstand Voltage	AC700V 1s
Allowable Ambient Temperature Range	- 10°C ~ + 60°C (Operating) - 30°C ~ + 60°C (Storage) non-condensing environment

※Please contact us for the spec beyond the temperature range here.

Expected Life ※ Failure Rate: 10% (L10 Life)

40°C 70,000 (Hours)	: 08038DA-12N-EU
40°C 60,000 (Hours)	: 08038DA-12R-EK

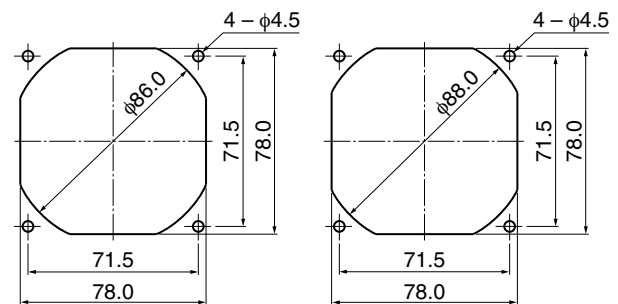
Outline



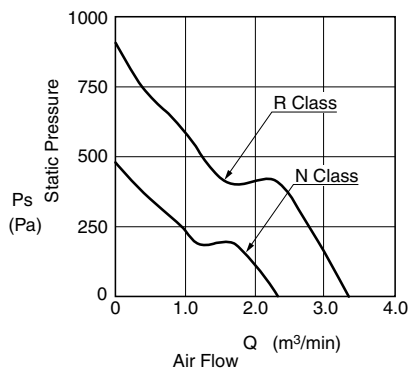
Panel Out-cuts

(Inlet Side)

(Outlet Side)



Characteristic Curves



Material

Casing	: Plastic (Black) UL94V-0
Impeller	: Plastic (Black) UL94V-0
Bearing	: Ball Bearing
Lead Wire	: UL10368 AWG22 + : Red, - : Black

Variable speed type is also available.
Please inquire regarding the other requirements.

Specifications

Model	Product No.	Rating Voltage	Operating Voltage	Current (A)*1	Input Power (W)*1	Speed (min ⁻¹)*1	Max. Air Flow		Max. Static Pressure		Noise (dB)*1	Mass (g)
		(V)	(V)				(m³/min)*1	(CFM)*1	(Pa)	(In H ₂ O)		
08038DA-12N-EU-	D0	12	10.8 ~ 13.2	1.45	17.40	8500	2.35	83.0	480.0	1.93	63.0	245
08038DA-12R-EK-	D0			3.30	39.60	12000	3.36	118.6	910.0	3.65	70.0	

Rotation: Clockwise as seen from the label side
Airflow Outlet: Label side

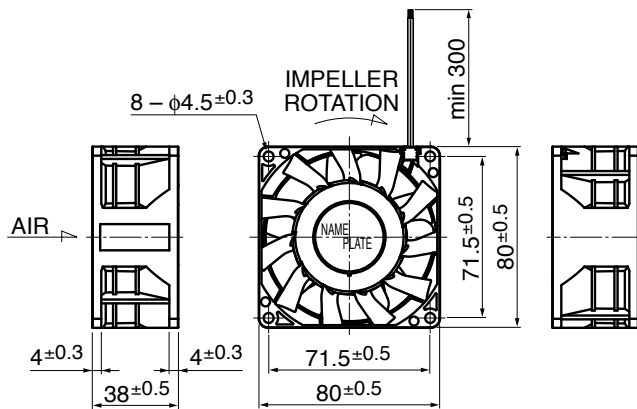
*1: Average Values in Free Air

08038DA (E-Type Single Phase) 80[□]X38^L

DC Axial Fan



Outline



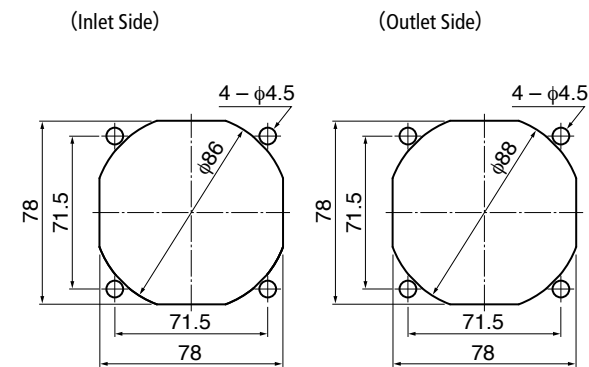
General Specifications

Motor Protection	Auto Restart / Polarity Protection
Insulation Resistance	10MΩ or over with a DC500V Megger
Dielectric Withstand Voltage : AC700V 1s	
Allowable Ambient : - 10°C ~ + 70°C (Operating)	
Temperature Range : - 40°C ~ + 70°C (Storage)	
non-condensing environment	

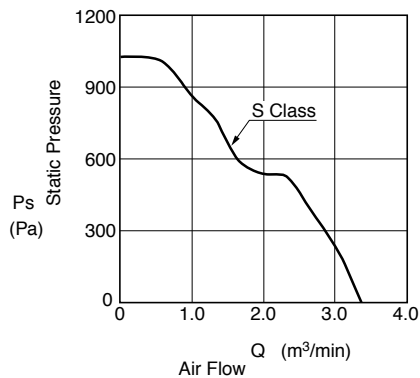
Expected Life ※ Failure Rate: 10% (L10 Life)

40°C 70,000 (Hours)

Panel Out-cuts



Characteristic Curves



Material

Casing	: Plastic (Black) UL94V-0
Impeller	: Plastic (Black) UL94V-0
Bearing	: Ball Bearing
Lead Wire	: UL3385 AWG20 + : Red, - : Black

Variable speed type is also available.
Please inquire regarding the other requirements.

Specifications

Model	Product No.	Rating Voltage	Operating Voltage	Current	Input Power	Speed	Max. Air Flow		Max. Static Pressure	Noise	Mass	
		(V)	(V)	(A)*1	(W)*1	(min ⁻¹)*1	(m ³ /min)*1	(CFM)*1	(Pa)*1	(In H ₂ O)*1	(dB)*1	(g)
08038DA-12S-EAE-	00	12	10.8 ~ 13.2	3.90	46.8	15000	3.35	118.5	1025.0	4.10	72.0	237

Rotation: Clockwise as seen from the label side

Airflow Outlet: Label side

*1: Average Values in Free Air

08038DA (E-Type Three Phase)

80[□]X38^L

DC Axial Fan



Reference Spec

General Specifications

- Motor Protection : Auto Restart / Polarity Protection
- Insulation Resistance : 10MΩ or over with a DC500V Megger
- Dielectric Withstand Voltage : AC700V 1s
- Allowable Ambient : - 10°C ~ + 60°C (Operating)
- Temperature Range : - 40°C ~ + 70°C (Storage)
- non-condensing environment

Expected Life

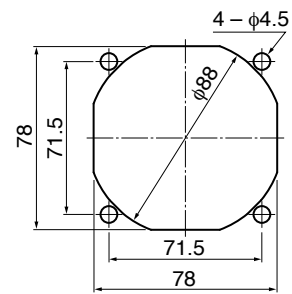
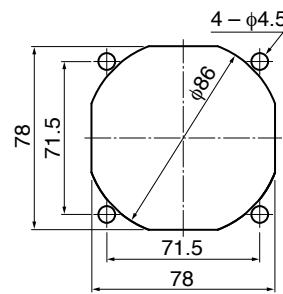
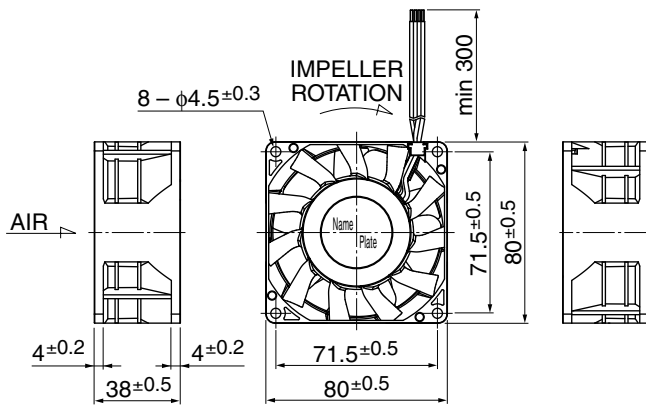
※ Failure Rate: 10% (L10 Life)

- 40°C 70,000 (Hours) (Target Value)
- 60°C 40,000 (Hours) (Target Value)

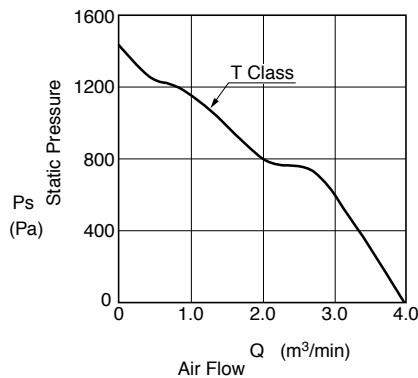
Panel Out-cuts

(Inlet Side)

(Outlet Side)



Characteristic Curves



Material

- Casing : Plastic (Black) UL94V-0
- Impeller : Plastic (Black) UL94V-0
- Bearing : Ball Bearing
- Lead Wire : UL3385 or UL10368 AWG20 +: Red, -: Black

Specifications

Model	Product No.	Rating Voltage	Operating Voltage	Current	Input Power	Speed	Max. Air Flow		Max. Static Pressure	Noise	Mass	
		(V)	(V)	(A)*1	(W)*1	(min ⁻¹)*1	(m ³ /min)*1	(CFM)*1	(Pa)*1	(In H ₂ O)*1	(dB)*1	(g)
08038DA-12T-E6E-	0	12	10.8 ~ 13.2	6.00	72.00	18000	3.90	137.7	1430.0	5.73	80.0	240

Rotation: Clockwise as seen from the label side
Airflow Outlet: Label side

*1: Average Values in Free Air

This information is reference spec, so final spec may change.

General Specifications

Motor Type: DC Brushless Motor

Motor Protection: Auto Restart/Polarity Protection

Motor withstands reverse connection for positive and negative leads.

Insulation Resistance:

10M Ω or over with a DC500V Megger

Dielectric Withstand Voltage:

AC 700V 1s or 500V 1min

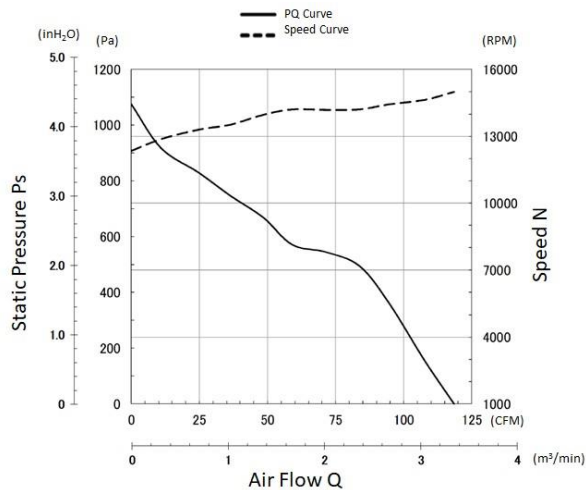
Allowable Ambient Temperature Range:

-10°C ~ +60°C (Operating)

-40°C ~ +70°C (Storage)

(non-condensing environment)

Characteristics Curves



PWM Benefits & Applications

PWM Benefits

- Increased Life Expectancy
- Energy Saving
- Lower Vibration
- Lower Noise
- Current Spike Prevention

PWM Applications

- Routers
- Switches
- Storage
- Data Centers
- Optical Repeaters
- Broadcast Equipment
- Inverters
- UPS
- Battery Chargers
- Fuel Cells
- Industrial Power Supplies
- Welders
- Plasma Cutters
- Instrumentation
- Test Equipment
- Enclosures and more

- Customized fan performances at multiple operating points.
- Peak efficiency resulting in lower total ownership costs.
- Cost effective and better reliability.

Life Expectancy L10

40°C 70,000 Hours

Specifications

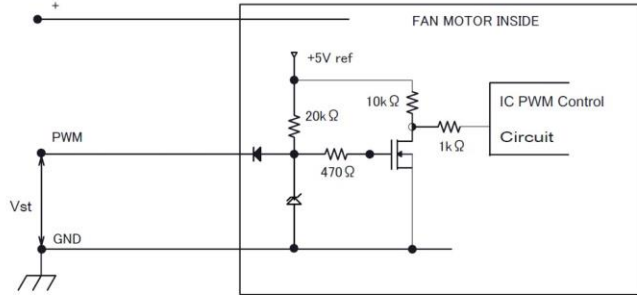
MODEL	Rated	Operating	Current		Input Power		Speed	Max.		Max. Static		Noise	Mass
	Voltage	Voltage	Avg	Max	Avg	Max		Air Flow		Pressure			
	(V)	(V)	(A) ^{*1}	(A) ^{*1}	(W) ^{*1}	(W) ^{*1}	(min ⁻¹)	(CFM)	(m ³ /min)	(inH ₂ O)	(Pa)	(dB) ^{*1}	(g)
08038DA-12S-EWE-6	12	10.8 ~13.2	3.90	5.00	46.80	60.00	15000	118.0	3.34	4.32	1074	74.0	237

*1: Values in Free Air

PWM Specifications

PWM CONTROL

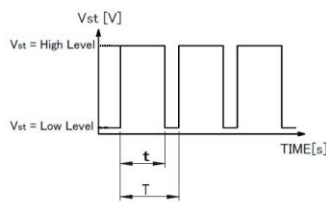
Connection



1. PWM Control

- Vst = Low Level (0V~0.4V) → Stop(On Duty 0%)
- Vst = High Level (3.3V~5.0V) → Full Speed(On Duty 100%)
- Vst = Open → Full Speed

2. PWM Duty & PWM Input Pulse



PWM Duty means that a ration of high level time (t)/PWM Input Pulse(T).

$$(t/T) \times 100 : \text{On Duty } 0\% \sim 100\%$$

PWM Frequency $f = 25$ [kHz]

PWM Characteristics Curve

REFERENCE PWM Duty VS. Speed

Conditions : at rating voltage, Vst=5.0V, f=25 kHz, Ta=25°C



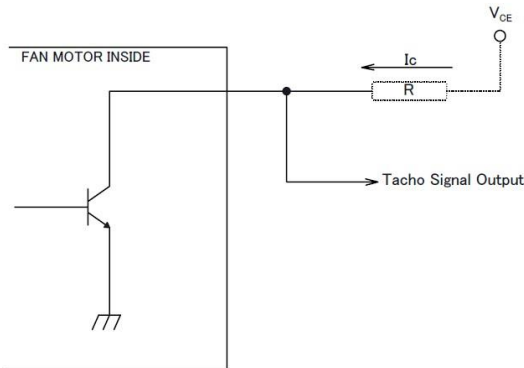
3. The condition for PWM control are as follows.

- When you use this under PWM control, always be sure the motor's operation under practical mounting state. Fan motor may not start up caused by PWM control at very low speed condition.
- To run at Rating Voltage +12 VDC
- Please use the start with Duty 20% or more at 25kHz. [At rated voltage input, Ambient temperature 25°C]

TACHO Specifications

TACHO SIGNAL

1. OUTPUT CIRCUIT : OPEN COLLECTOR
2. SPECIFICATION
 - Ta=25°C
 - Absolute Maximum Ratings at Ta=25°C
 - V_{CE} max : +13.2 VDC
 - I_c max : 5mA [V_{CE(sat)}max = 1.5V]

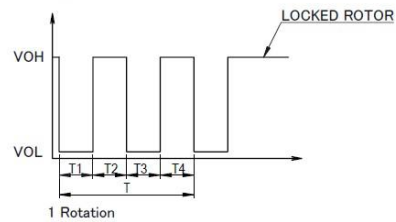


TACHO SIGNAL CIRCUIT

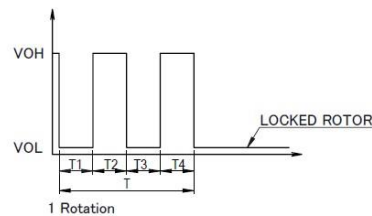
3. OUTPUT WAVEFORM : AT RATED VOLTAGE

OUTPUT SIGNAL VOLTAGE

3-1 Case-1



3-2 Case-2

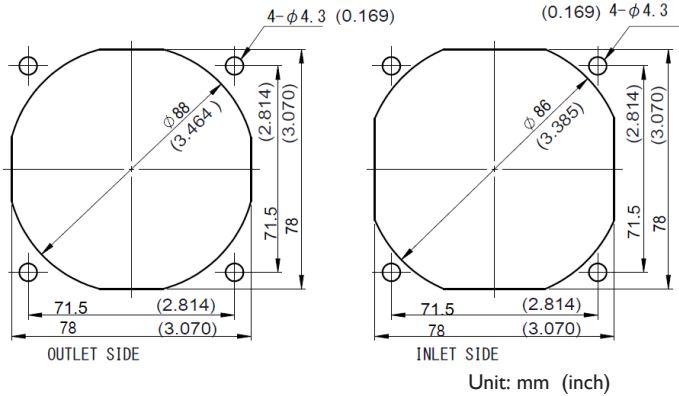


- 1) When the rotor is locked at VOH position of signal, signal keeps VOH position.
- 2) When the rotor is locked at VOL position of signal, signal keeps VOL position.
- 3) $T = T1 + T2 + T3 + T4 = 60/m = 1$ rotation

$$m : \text{min}^{-1}$$

Tach Duty Cycle = 50% ± 10%

Panel Cut-Outs

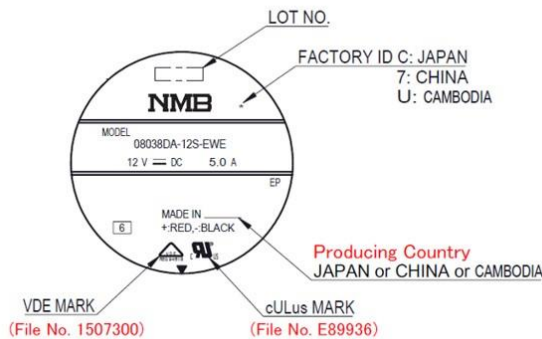


Materials

- Casing : Plastic (Black UL94V-0)
- Impeller : Plastic (Black UL94V-0)
- Bearing : Ball Bearing
- Lead Wire : UL10368 AWG22 and AWG24
- AWG22:
 - (+) : Red (-) : Black
- AWG24:
 - PWM : Brown Tach : White

Outline

Name Plate



FLANGE TYPE

