

08038PB (3115PS)

80[□]X38^L

AC Axial Fan

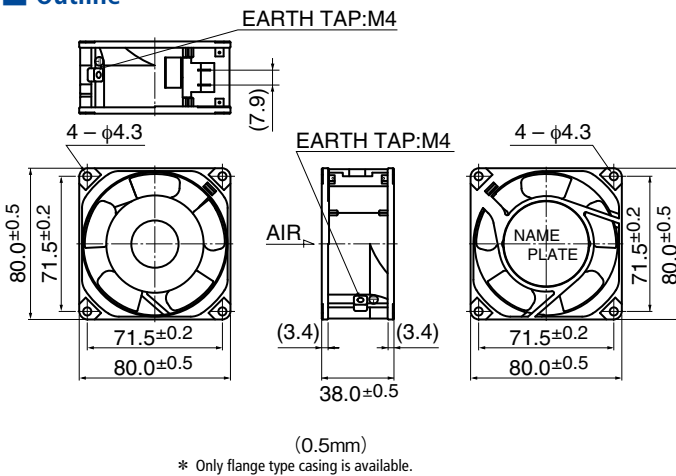


General Specifications

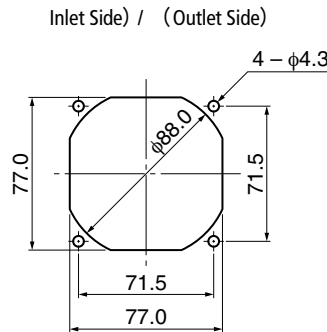
Motor Structure	Shaded Pole Induction Motor
Motor Protection	Impedance Protection
Insulation Resistance	Min 100MΩ by DC 500V Megger
Dielectric Withstand Voltage : AC1800V 3s	
Allowable Ambient Temperature Range	: - 10°C ~ + 70°C (Operating) - 40°C ~ + 70°C (Storage) non-condensing environment

Expected Life ※ **Failure Rate: 10% (L10 Life)**
25°C 100,000 (Hours)

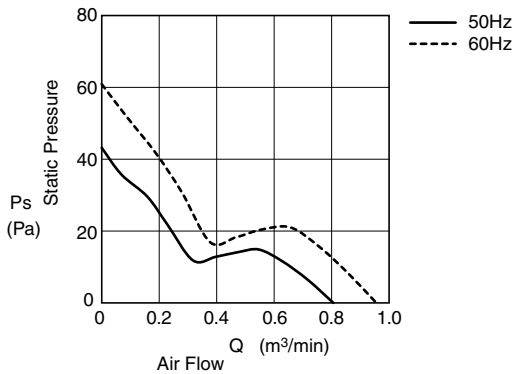
Outline



Panel Out-cuts



Characteristic Curves



Material

Casing	: Aluminum (Black Painting)
Impeller	: Plastic (Black) UL94V-0
Bearing	: Ball Bearing
Terminal	: Faston #110 or Equiv

Lead Wire type is also available.

Lead Wire : UL3266, AWG22

Specifications

Model	Product No.	Rating Voltage	Frequency	Starting Voltage	Current	Input Power	Speed	Max. Air Flow		Max. Static Pressure		Noise	Mass
		(V)	(Hz)	(V)	(A) ^{*2}	(W) ^{+10% -20%}	(min ⁻¹) ^{*3}	(m ³ /min) ^{*3}	(CFM) ^{*3}	(Pa) ^{*3}	(In H ₂ O) ^{*3}	(dB) ^{*1}	(g)
08038PB-A0L-EA-	00	100	50	65	0.170	9.0	2700	0.75	26.8	34.4	0.14	33.0	270
			60		0.120	7.0	3200	0.90	32.1	49.1	0.20	38.0	
08038PB-A1L-EA-	00	115	50	75	0.140	9.0	2700	0.75	26.8	34.4	0.14	33.0	
			60		0.110	7.0	3200	0.90	32.1	49.1	0.20	38.0	
08038PB-B0L-EA-	00	200	50	130	0.080	9.0	2700	0.75	26.8	34.4	0.14	33.0	
			60		0.060	7.0	3200	0.90	32.1	49.1	0.20	38.0	
08038PB-B2L-EA-	00	220	50	150	0.070	9.0	2700	0.75	26.8	34.4	0.14	33.0	
			60		0.060	7.0	3200	0.90	32.1	49.1	0.20	38.0	
08038PB-B3L-EA-	00	230	50	150	0.070	10.0	2700	0.75	26.8	34.4	0.14	33.0	
			60		0.055	8.0	3200	0.90	32.1	49.1	0.20	38.0	
08038PB-B4L-EA-	00	240	50	150	0.075	12.0	2700	0.75	26.8	34.3	0.14	33.0	
			60		0.060	9.0	3200	0.90	32.1	49.0	0.20	38.0	

Rotation: Counterclockwise as seen from the label side
Airflow Outlet: Label side

*1: Average Values in Free Air
*2: Maximum Values in Free Air
*3: Minimum Values in Free Air