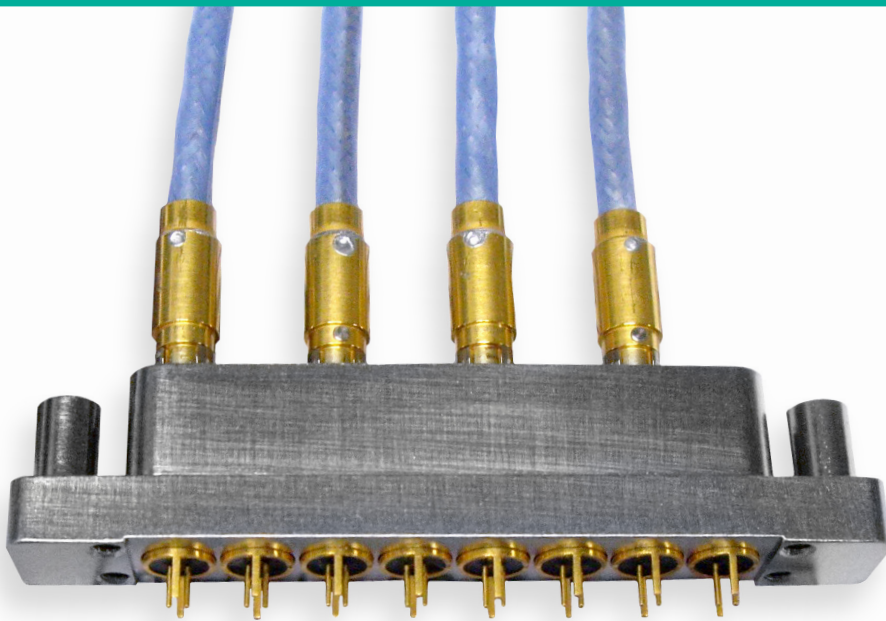


Micro-D Twinax Connectors



Micro-D Twinax



Smiths Interconnect offers a complete line of differential Twinax and Quadrx connectors, contacts and cable assemblies for high speed Ethernet, Firewire, and Fibre Channel applications. Differential pair quadrx and twinax connectors and cable assemblies offer superior performance in high speed matched impedance data-on-demand applications. The signal to signal and signal to shield characteristic impedance is maintained throughout the connector pair. A true twinaxial connector interface ensures signal integrity while minimizing jitter and data rate errors.

Testing Capabilities

Smiths Interconnect Quadrx and Twinax interconnects are characterized for testing eye pattern, jitter, skew, and insertion loss on differential pair 100 Ohm high speed gigabit ethernet applications with a wide variety of testing protocols. We utilize the Agilent E5071C 4 port network analyzer to measure the differential pair TDR impedance between Twinax connectors, cable assemblies, and quad cable Ethernet and Fibre Channel interconnect systems ensuring the most accurate acquired signal for high speed communications testing. The E5071C 4 port network analyzer is capable of highly accurate 100 Ohm differential measurements up to 20 GHz and can measure eye diagrams up to 16 Gbps.

Features

Fibre Channel

Ethernet: 10 Base-T, 100 Base-T, 1000 Base-T

Firewire: IEEE 1394a and 1394b

USB, DVII, HDMI and Infiniband

Specifications

Temperature Rating	-55°C to + 125°C
Corrosion	MIL-STD-202 Method 101, Test Condition B
Shock	MIL-STD-202 Method 213, Test Condition B
Vibration	MIL-STD-202 Method 204, Test Condition B
Thermal Shock	MIL-STD-202 Method 107, Test Condition B
Durability	500 mate/unmate cycles minimum
Dielectric Withstand Voltage	250 VDC
Insulation Resistance	5.000 MegaOhms min
Contact Current Rating	3.0 Amps D.C. max
Bandwidth	Up to 3 GHz
Data Rates	Contacts designed to exceed 6 Gbps assembly dependent upon type and length of cable used
Differential Pair Cable Impedance	100 Ohm ± 10 Ohm
Signal to Shield Cable Impedance	5 Ohm + 7 Ohm

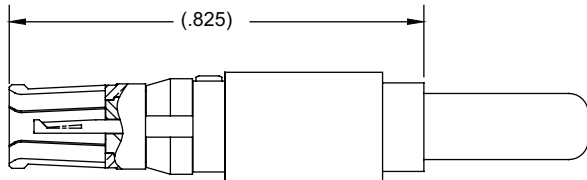
Materials and Finishes

Shells & Inner Contacts	Brass per ASTM-B16, alloy UNS C3600 or BeCu per ASTM-B196, alloy UNS C17200, C17300 or leaded nickel copper, alloy UNS C19500, C19600 Gold plate per MIL-DTL-45204 Type II, Class 1
Insulators	PTFE per ASTM-D1710 Ultem per ASTM-D5205
Connector Plug/ Receptacle Shells	Aluminum per ASTM-B211/221, 6061-T6 Electroless nickel plate per SAE AMS-C-26074 or Cadmium plate per SAE AMS QQ-P-416

Smiths Interconnect's Micro-D Twinax Connectors (MDTX) offer twinax blindmate assemblies fitted into a low-profile metalized Micro-D style shell. This series allows for modularity of PCB routing of high speed signaling capable of 100 Ohm differential pair matched impedance for IEEE 1394b firewire and gigabit ethernet applications in a size 10 twinax contact. These connectors allow for maximum space utilization, ultra-miniature size, high vibration capability and are extremely light weight and modular with true signal integrity. Insert arrangements are available in 2, 4, 6 and 8 way twinax assemblies with mixed signal and power contacts available in hybrid layouts. Connectors are available with locking post mechanisms or blind mate features.

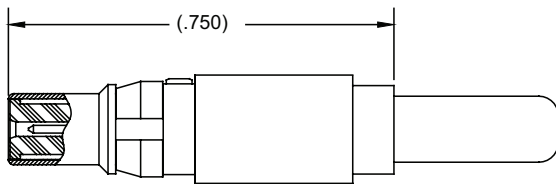
Please consult Smiths Interconnect for unique hybrid layouts and custom shell configurations.

SIZE 10 Twinax Socket Contact 100 Ohm for MDTX Cable Mount Plug



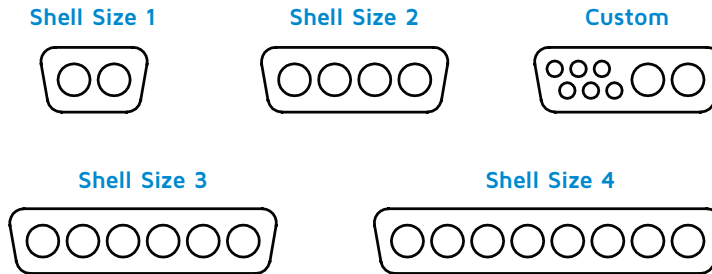
Part Number	Cable Type	Cable
018934-0002	Differential Twinax	540-1153-000
018934-0003	Flexible Twinax	540-1161-000
018934-0004	Differential Twinax	540-1167-000

SIZE 10 Twinax Pin Contact 100 Ohm for MDTX Cable Mount Receptacle



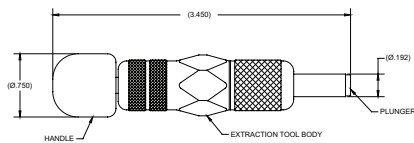
Part Number	Cable Type	Cable
018834-0002	Differential Twinax	540-1153-000
018834-0003	Flexible Twinax	540-1161-000
018834-0004	Differential Twinax	540-1167-000

Insert Arrangements

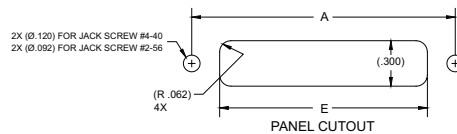


Shell Dimensions

Shell Size	Contacts	A	B	C	D	E
1	2	.845"	1.070"	.600"	#2-56	.572"
2	4	1.285"	1.510"	1.040"	#2-56	1.012"
3	6	1.765"	2.040"	1.480"	#4-40	1.452"
4	8	2.205"	2.480"	1.920"	#4-40	1.892"



Removal Tool SIR-035

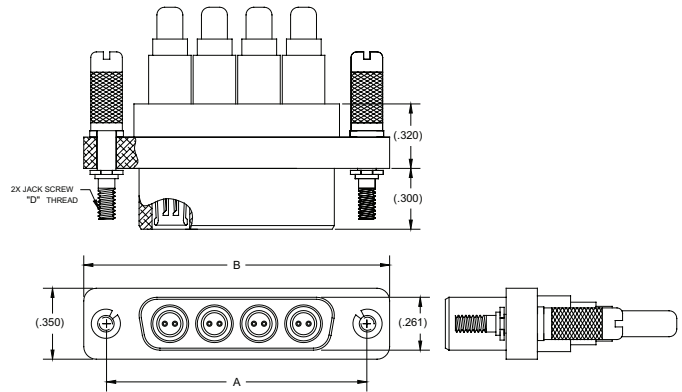


* Removable Twinax Contacts Require Removal Tool SIR-035 (ordered separately)

MDTX Cable Mount Plug

Part Number	Contacts
014034-0012	2
014034-0014	4
014034-0016	6
014034-0018	8

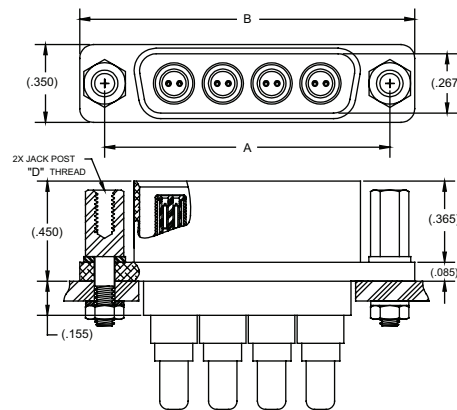
*Cable Mount Twinax Contacts Sold Separately



MDTX Cable Mount Receptacle

Part Number	Contacts
014134-0012	2
014134-0014	4
014134-0016	6
014134-0018	8

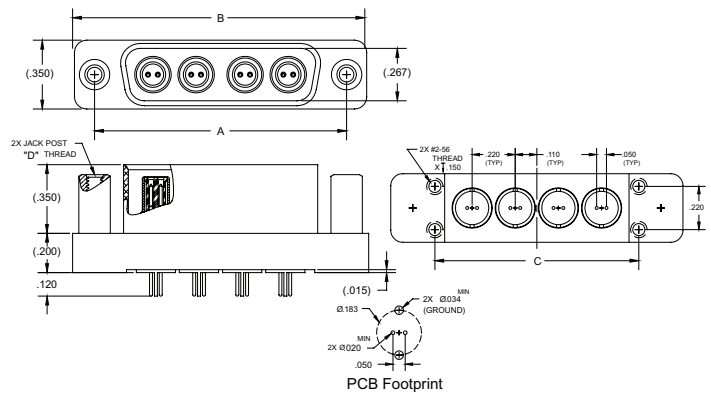
*Cable Mount Twinax Contacts Sold Separately



MDTX Receptacle With Straight PC Tail Twinax Pin Contact

Part Number	Contacts
014117-0012	2
014117-0014	4
014117-0016	6
014117-0018	8

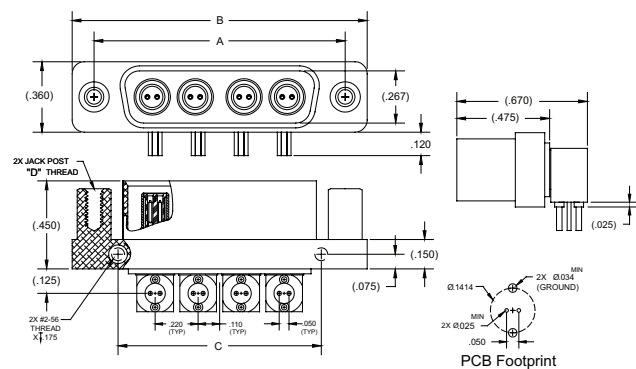
*PC Tail Twinax Contacts included



MDTX Receptacle With R/A PC Tail Twinax Pin Contact

Part Number	Contacts
014117-1112	2
014117-1114	4
014117-1116	6
014117-1118	8

*R/A PC Tail Twinax Contacts included



How To Order



1 Connector #1

2 Cable Group #	Flexible Twinax 3 540-1161-000	Differential Twinax 8 540-1153-000 3 4 540-1167-000
3 Connector #2	OL for Open Lead	

4 Cable Length in Inches (XXX)

Cable Group	Cable Designation	Impedance (Ohms)	Jacket	Conductor (DIA)
3	540-1161-000	100	0.130"	0.024"
8	540-1153-000	Differential: 100 Sig. to Shield: 50	0.085" x 0.130"	0.019" Stranded
34	540-1167-000	Differential: 100 Sig. to Shield: 50	0.117" x 0.160"	0.0233" Stranded

Global Support

UK Headquarters

- London, UK
+44 20 7004 1600
info.uk@smithsinterconnect.com

US Headquarters

- Stuart, FL
+1 772 286 9300
info.us@smithsinterconnect.com

Americas

- Costa Mesa, CA
+1 714 371 1100
info.us@smithsinterconnect.com
- Milpitas, CA
+1 408 957 9607 x-1125
info.us@smithsinterconnect.com
- Stuart, FL
+1 772 286 9300
info.us@smithsinterconnect.com
- Hudson, MA
+1 978 568 0451
info.us@smithsinterconnect.com
- Northampton, MA
+1 413 582 9620
info.northamptonsmithsinterconnectinc.com
- Tampa, FL
+ 1 813 901 7200
info.tampa@smithsinterconnectinc.com
- Kansas City, KS
+1 913 342 5544
info.us@smithsinterconnect.com
- Salisbury, MD
+1 800 780 2169
info.us@smithsinterconnect.com
- Thousand Oaks, CA
+1 805 267 0100
info.thousandoaks@smithsinterconnectinc.com

Europe

- Deggendorf, Germany
+49 991 250 120
info.de@smithsinterconnect.com
- Genova, Italy
+39 0 10 60361
info.it@smithsinterconnect.com
- Dundee, UK
+44 1382 427 200
info.dundee@smithsinterconnect.com
- Rouen, France
+33 2 32 96 91 76
info.fr@smithsinterconnect.com
- Elstree, UK
+44 20 8236 2400
info.uk@smithsinterconnect.com

Asia

- Shanghai, China
+86 21 3318 4650
asiainfo@smithsinterconnect.com
- Suzhou, China
+86 512 6273 1188
asiainfo@smithsinterconnect.com
- Singapore
+65 6846 1655
asiainfo@smithsinterconnect.com

more > smithsinterconnect.com

