

BACKSHELL AND CONNECTOR ACCESSORIES

CONNECTOR PROTECTION CAPS, DUMMY RECEPTACLES
BLANKING CANS AND BACKSHELL EXTENDERS



Table of Contents



Introduction	4
Material and Plating Codes	5
Plating Description	5
Configuration Options	6
Part Numbering System	7
410 Series	
Plug	8
Receptacle	9
420 Series	
Plug	10
Receptacle	11
430 Series	
Plug	12
Receptacle	13
810 Series	
Plug	14
Receptacle	15
Bandstraps	16
Split Banding Ring	18
Dummy Receptacles, Blanking Cans and Extenders	20
DC Series Backshell Extender	24
PG Thread Adaptor	25
Knitted Wire Mesh Tape	26

Connector Protection Caps and Backshell Accessories



Description

TE Connectivity's (TE) POLAMCO connector protection caps provide reliable solutions for harsh environments. Offering lightweight, rugged metal covers that mechanically protect and seal connectors in the unmated condition, for both black box and harness applications. Our product offering includes a full range of shell sizes, materials and platings to meet the demanding needs of specific customer applications.

ROBUST

- Designed for harsh environments

MULTIPLE CONFIGURATIONS

- Available in different material and plating finishes
- Lanyard selection to application preference
- Available in different shell sizes

ENHANCED CONNECTOR PROTECTION

- Helps to protect connector against dust, foreign objects, moisture intrusion when in the unmated condition

APPLICATIONS

- Avionic Systems
- C4ISR
- Radar Systems
- Ground Vehicles
- Missile Launch Platforms
- Weapons Systems

SPECIFICATIONS DESIGNED MEET

- MIL-DTL-38999 Series I, II, III
- EN3645
- MIL-DTL-24682 Series I, II
- MIL-DTL-83723 Series I, II
- PAT 105 / PAT 603

QUALIFIED

- M85049, /93, /128

Material and Plating Codes

PROTECTIVE CAP SERIES MATERIAL CODES

P*C410	1-B	1-C	1-ZN	—	—	—
P*C420	1-B	1-ZN	—	—	—	—
P*C430	1-B	1-C	1-ZN	1-ZB	2-Z	4-J
P*C810	1-B	1-C	1-ZN	1-ZB	—	—

* - P or R

Note: For material and finish options please see datasheet

MATERIAL AND FINISH CODES

Code	Material	Finish
1 - B	Aluminum	Cadmium Olive Drab Electroless Nickel
1 - C	Aluminum	Electroless Nickel
1 - ZN	Aluminum	Zinc Nickel Black Passivate Over Electroless Nickel
1 - ZB	Aluminum	Zinc Cobalt Over Electroless Nickel
2 - Z	Nickel Aluminum Bronze	Unplated, Shot Blast for Non-Reflective Finish
4 - J	Stainless Steel	Passivate

PRODUCT SERIES

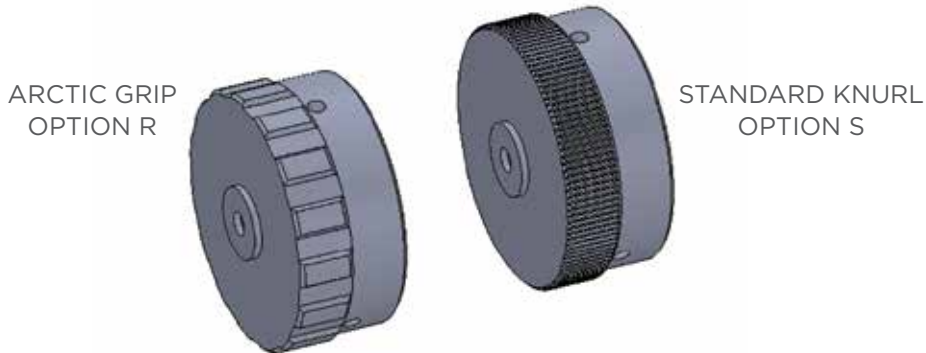
Protection Caps Designed to be used in conjunction with:	410 Receptacle	410 Plug	420 Receptacle	420 Plug	430 Receptacle	430 Plug	810 Receptacle	810 Plug
MIL-DTL-38999 Series I	X	X						
MIL-DTL-38999 Series II			X	X				
MIL-DTL-38999 Series III/EN3645					X	X		
MIL-DTL-26482 Series I							X	X
MIL-DTL-26482 Series II							X	X
PATT 105/PATT 603							X	X
MIL-DTL-83723 Series I							X	X
MIL-DTL-83723 Series II							X	X

LANYARD TYPE OPTIONS

Code	Material and Finish
A	Black Cord to MIL-C-5040 Type 1A
B	Olive Drab Cord to MIL-C-5040-1-A-C
C	Insulated Stainless Steel Wire Rope, Passivated
D	Stainless Steel Link Chain, Passivated

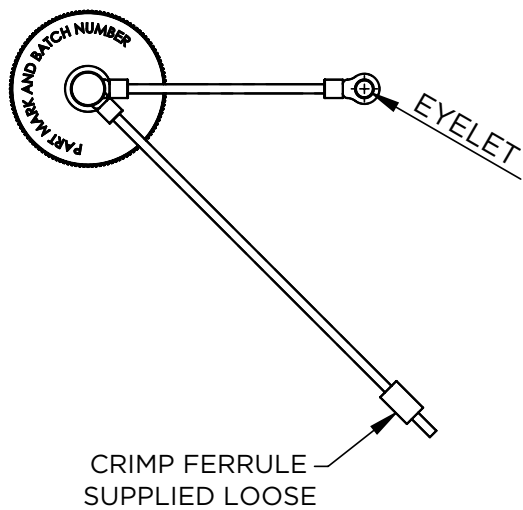
Configuration Options

Grip Options



Lanyard Attachment Options

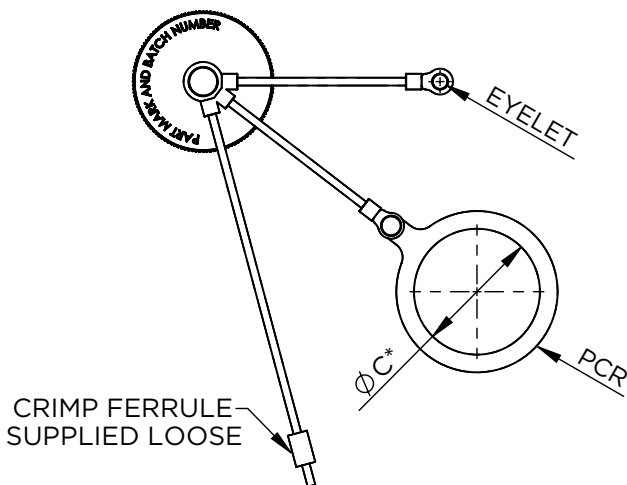
Plug



Eyelet	Ø (mm)
E01	3,2
E02	4,3

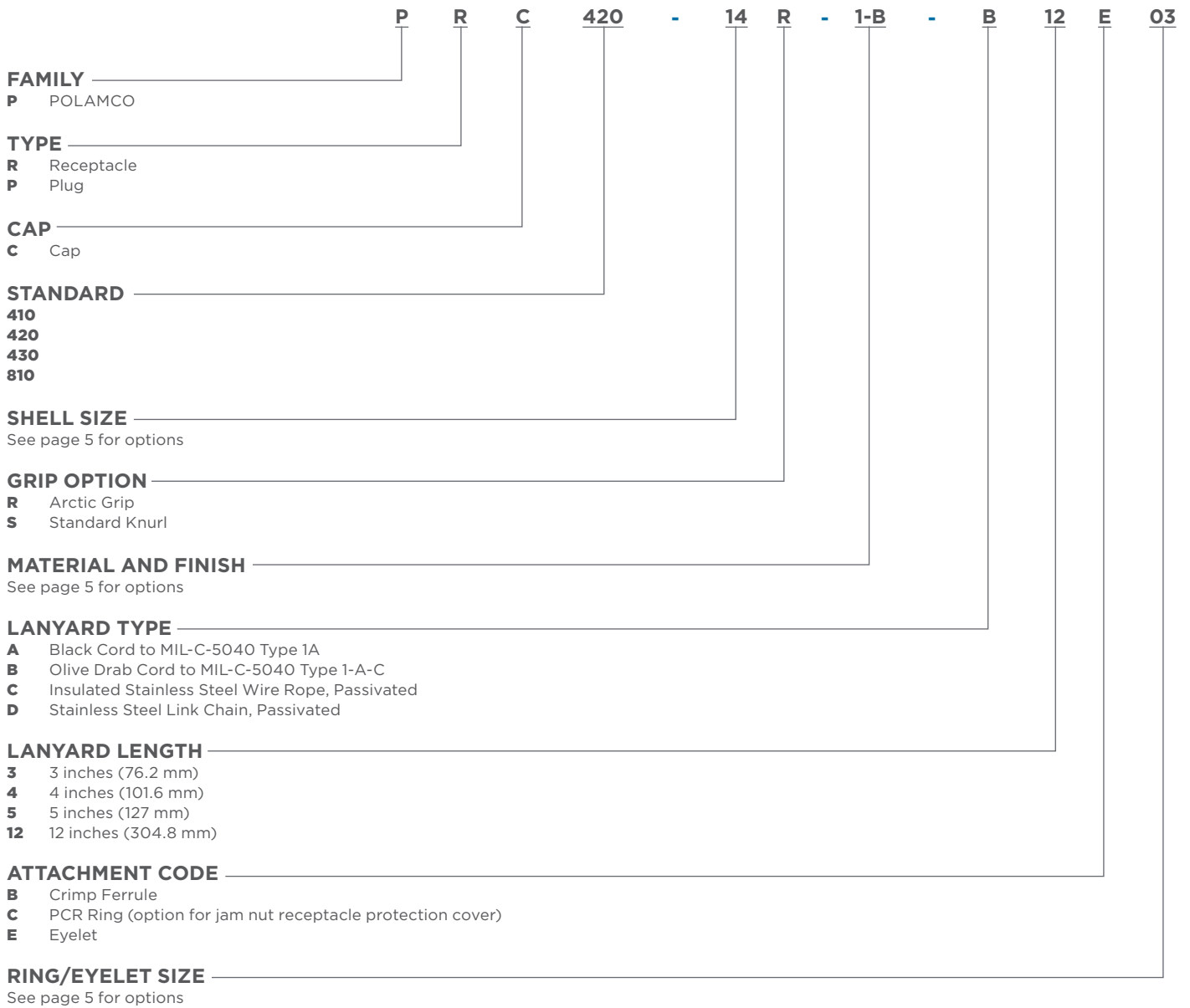
All dimensions in mm

Receptacle



PCR ØC refer to individual datasheets

Part Numbering System



410 Series Plug

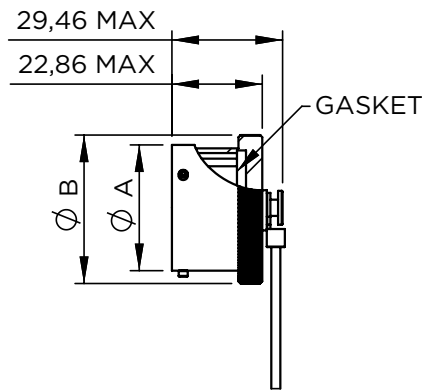


TABLE 1

Shell Size	ØA Max	ØB Max
09	14,55	20,83
11	17,81	23,88
13	21,62	27,18
15	24,79	30,23
17	27,97	33,53
19	30,68	36,58
21	33,86	39,88
23	37,03	42,93
25	40,21	46,23

All dimensions in mm

PPC410 17 S 1-C C 4 E01

SERIES DESIGNATOR ——— PPC410

SHELL SIZE ——— 17

GRIP OPTION (SEE PAGE 5 (BROCHURE) FOR OPTIONS) ——— S

MATERIAL AND FINISH ——— 1-C

ATTACHMENT CODE ——— E01

LANYARD LENGTH IN INCHES ——— 4

LANYARD TYPE ——— C

GRIP OPTION (SEE PAGE 5 (BROCHURE) FOR OPTIONS)

- R Arctic Grip
- S Standard Knurl

MATERIAL AND FINISH

- 1-B Aluminum / Cadmium Olive
Drab Electroless Nickel
- 1-C Aluminum / Electroless Nickel
- 1-ZN Aluminum / Zinc Nickel Black
Passivate over Electroless Nickel

ATTACHMENT CODE

- B Crimp Ferrule
- E Eyelet
- E01: 3.2
- E03: 4.3

LANYARD LENGTH IN INCHES

- 3" 76.2 mm
- 4" 101.6 mm
- 5" 127.0 mm
- 12" 304.8 mm

LANYARD TYPE

- A Black Cord to MIL-C-5040 Type 1A
- B Olive Drab Cord to MIL-C-5040-1-A-C
- C Insulated Stainless Steel Wire Rope, Passivated
- D Stainless Steel Link Chain, Passivated

410 Series Receptacle



TABLE 1

Shell Size	ØA Max	ØB Max	Recommended Ring Sizes
09	20,83	21,84	C09, C11
11	23,88	24,89	C11, C13
13	27,94	29,46	C13, C15
15	30,99	32,51	C15, C17
117	34,04	35,81	C17, C19
19	37,08	38,61	C19, C21
21	40,13	41,91	C21, C23
23	43,18	44,96	C23, C25
25	46,48	48,01	C25

All dimensions in mm

TABLE 2

PCR Ring Code	ØC	PCR Ring Code	ØC
C09	18,00	C19	35,00
C11	21,40	C21	38,30
C13	25,80	C23	41,70
C15	28,80	C25	44,60
C17	32,00		

All dimensions in mm

PRC410 17 S 1-C C 4 E01

SERIES DESIGNATOR — PRC410

SHELL SIZE — 17

GRIP OPTION (SEE PAGE 5 (BROCHURE) FOR OPTIONS) — S

MATERIAL AND FINISH — 1-C

ATTACHMENT CODE — C 4 E01

LANYARD LENGTH IN INCHES — 4

LANYARD TYPE — C

Options:

- GRIP OPTION (SEE PAGE 5 (BROCHURE) FOR OPTIONS)**
 - R Arctic Grip
 - S Standard Knurl
- MATERIAL AND FINISH**
 - 1-B Aluminum / Cadmium Olive Drab Electroless Nickel
 - 1-C Aluminum / Electroless Nickel
 - 1-ZN Aluminum / Zinc Nickel Black Passivate over Electroless Nickel
- ATTACHMENT CODE**
 - B Crimp Ferrule
 - C PCR Ring
 - E Eyelet
 - E01: 3.2
 - E03: 4.3
- LANYARD LENGTH IN INCHES**
 - 3" 76.2 mm
 - 4" 101.6 mm
 - 5" 127.0 mm
 - 12" 304.8 mm
- LANYARD TYPE**
 - A Black Cord to MIL-C-5040 Type 1A
 - B Olive Drab Cord to MIL-C-5040-1-A-C
 - C Insulated Stainless Steel Wire Rope, Passivated
 - D Stainless Steel Link Chain, Passivated

420 Series Plug

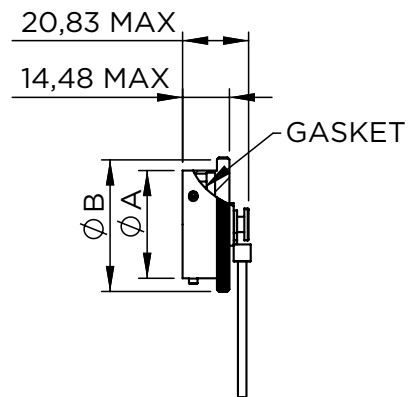
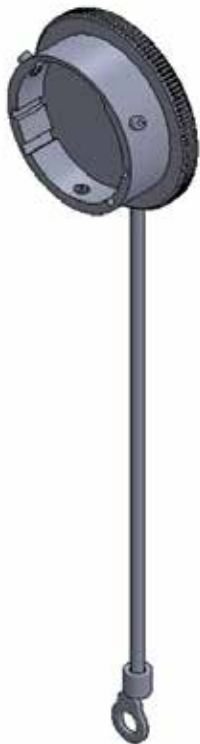


TABLE 1

Shell Size	ØA Max	ØB Max
08	12,03	18,28
10	15,02	21,59
12	19,08	25,40
14	22,26	28,70
16	25,43	31,75
18	28,61	35,05
20	31,78	38,10
22	34,96	41,40
24	38,13	44,45

All dimensions in mm

PPC420 16 S 1-B C 4 E01

SERIES DESIGNATOR ———— PPC420

SHELL SIZE ———— 16

GRIP OPTION (SEE PAGE 5 (BROCHURE) FOR OPTIONS) ———— S

MATERIAL AND FINISH ———— 1-B

ATTACHMENT CODE ———— E01

LANYARD LENGTH IN INCHES ———— 4

LANYARD TYPE ———— C

Options:

- R** Arctic Grip
- S** Standard Knurl
- 1-B** Aluminum / Cadmium Olive
Drab Electroless Nickel
- 1-ZN** Aluminum / Zinc Nickel Black
Passivate over Electroless Nickel
- B** Crimp Ferrule
- E** Eyelet
- E01:** 3.2
- E03:** 4.3
- 3"** 76.2 mm
- 4"** 101.6 mm
- 5"** 127.0 mm
- 12"** 304.8 mm
- A** Black Cord to MIL-C-5040 Type 1A
- B** Olive Drab Cord to MIL-C-5040-1-A-C
- C** Insulated Stainless Steel Wire Rope, Passivated
- D** Stainless Steel Link Chain, Passivated

420 Series Receptacle



TABLE 1

Shell Size	ØA Max	ØB Max	Recommended Ring Sizes
08	16,00	19,05	C08, C10
10	19,33	21,82	C10, C12
12	23,77	26,19	C12, C14
14	27,28	29,36	C14, C16
16	29,77	32,54	C16, C18
18	33,12	35,71	C18, C20
20	36,45	38,89	C20, C22
22	39,62	41,68	C22, C24
24	42,88	44,86	C24

All dimensions in mm

TABLE 2

PCR Ring Code	ØC	PCR Ring Code	ØC
C08	23,00	C18	38,30
C10	25,80	C20	41,70
C12	28,80	C22	44,60
C14	32,00	C24	48,00
C16	35,00		

All dimensions in mm

PRC420 16 S 1-B C 4 E01

SERIES DESIGNATOR — PRC420

SHELL SIZE — 16

GRIP OPTION (SEE PAGE 5 (BROCHURE) FOR OPTIONS) — S

MATERIAL AND FINISH — 1-B

ATTACHMENT CODE — C 4 E01

- B** Crimp Ferrule
- C** PCR Ring
- E** Eyelet
- E01:** 3.2
- E03:** 4.3

LANYARD LENGTH IN INCHES — 4

- 3"** 76.2 mm
- 4"** 101.6 mm
- 5"** 127.0 mm
- 12"** 304.8 mm

LANYARD TYPE — C

- A** Black Cord to MIL-C-5040 Type 1A
- B** Olive Drab Cord to MIL-C-5040-1-A-C
- C** Insulated Stainless Steel Wire Rope, Passivated
- D** Stainless Steel Link Chain, Passivated

GRIP OPTION (SEE PAGE 5 (BROCHURE) FOR OPTIONS)

- R** Arctic Grip
- S** Standard Knurl

MATERIAL AND FINISH

- 1-B** Aluminum / Cadmium Olive
Drab Electroless Nickel
- 1-ZN** Aluminum / Zinc Nickel Black
Passivate over Electroless Nickel

430 Series Plug

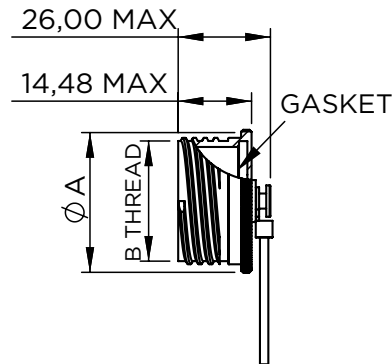
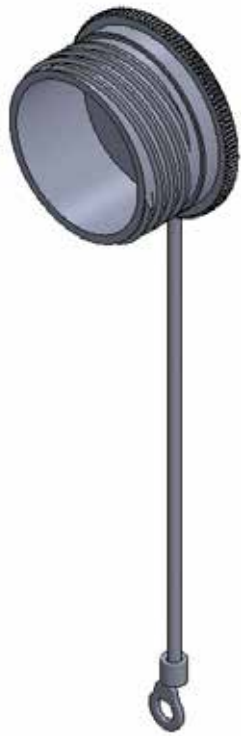


TABLE 1

Shell Size	ØA Max	B Thread
09	21,00	.625-0.1P-0.3L-TS
11	25,00	.750-0.1P-0.3L-TS
13	28,00	.875-0.1P-0.3L-TS
15	31,00	1.000-0.1P-0.3L-TS
17	35,00	1.1875-0.1P-0.3L-TS
19	37,00	1.250-0.1P-0.3L-TS
21	40,00	1.375-0.1P-0.3L-TS
23	43,00	1.500-0.1P-0.3L-TS
25	47,00	1.625-0.1P-0.3L-TS

All dimensions in mm

PPC430 17 S 1-C C 4 E01

SERIES DESIGNATOR ——— PPC430

SHELL SIZE ——— 17

GRIP OPTION (SEE PAGE 5 (BROCHURE) FOR OPTIONS) ——— S

MATERIAL AND FINISH ——— 1-C

ATTACHMENT CODE ——— E01

LANYARD LENGTH IN INCHES ——— 4

LANYARD TYPE ——— C

GRIP OPTION (SEE PAGE 5 (BROCHURE) FOR OPTIONS)

- R Arctic Grip
- S Standard Knurl

MATERIAL AND FINISH

- 1-B Aluminum / Cadmium Olive
Drab Electroless Nickel
- 1-C Aluminum / Electroless Nickel
- 1-ZN Aluminum / Zinc Nickel Black
Passivate over Electroless Nickel
- 1-ZB Aluminum / Zinc Cobalt
over Electroless Nickel
- 2-Z Nickel Aluminum Bronze / Unplated,
Shot Blast for Non-Reflective Finish
- 4-J Stainless Steel / Passivate

ATTACHMENT CODE

- B Crimp Ferrule
- E Eyelet
- E01: 3.2
- E03: 4.3

LANYARD LENGTH IN INCHES

- 3" 76.2 mm
- 4" 101.6 mm
- 5" 127.0 mm
- 6" 152.4 mm
- 12" 304.8 mm

LANYARD TYPE

- A Black Cord to MIL-C-5040 Type 1A
- B Olive Drab Cord to
MIL-C-5040-1-A-C
- C Insulated Stainless Steel Wire Rope,
Passivated
- D Stainless Steel Link Chain, Passivated

430 Series Receptacle



TABLE 1

Shell Size	ØA Max	B Thread	Recommended Ring Sizes
09	21,00	.625-0.1P-0.3L-TS	C09, C11
11	24,50	.750-0.1P-0.3L-TS	C11, C13
13	28,00	.875-0.1P-0.3L-TS	C13, C15
15	30,00	1.000-0.1P-0.3L-TS	C15, C17
17	34,00	1.1875-0.1P-0.3L-TS	C17, C19
19	37,00	1.250-0.1P-0.3L-TS	C19, C21
21	40,00	1.375-0.1P-0.3L-TS	C21, C23
23	43,00	1.500-0.1P-0.3L-TS	C23, C25
25	47,00	1.625-0.1P-0.3L-TS	C25

All dimensions in mm

TABLE 2

PCR Ring Code	ØC
C09	18,00
C11	21,40
C13	25,80
C15	28,80
C17	32,00
C19	35,00
C21	38,30
C23	41,70
C25	44,60

PRC430 17 S 1-C C 4 E01

SERIES DESIGNATOR — PRC430

SHELL SIZE — 17

GRIP OPTION (SEE PAGE 5 (BROCHURE) FOR OPTIONS) — S

MATERIAL AND FINISH — 1-C C 4

ATTACHMENT CODE — E01

LANYARD LENGTH IN INCHES — 4

LANYARD TYPE — C

GRIP OPTION (SEE PAGE 5 (BROCHURE) FOR OPTIONS)

- R Arctic Grip
- S Standard Knurl

MATERIAL AND FINISH

- 1-B Aluminum / Cadmium Olive Drab Electroless Nickel
- 1-C Aluminum / Electroless Nickel
- 1-ZN Aluminum / Zinc Nickel Black Passivate over Electroless Nickel
- 1-ZB Aluminum / Zinc Cobalt over Electroless Nickel
- 2-Z Nickel Aluminum Bronze / Unplated, Shot Blast for Non-Reflective Finish
- 4-J Stainless Steel / Passivate

ATTACHMENT CODE

- B Crimp Ferrule
- C PCR Ring
- E Eyelet
- E01: 3.2
- E03: 4.3

LANYARD LENGTH IN INCHES

- 3" 76.2 mm
- 4" 101.6 mm
- 5" 127.0 mm
- 6" 152.4 mm
- 12" 304.8 mm

LANYARD TYPE

- A Black Cord to MIL-C-5040 Type 1A
- B Olive Drab Cord to MIL-C-5040-1-A-C
- C Insulated Stainless Steel Wire Rope, Passivated
- D Stainless Steel Link Chain, Passivated

810 Series Plug

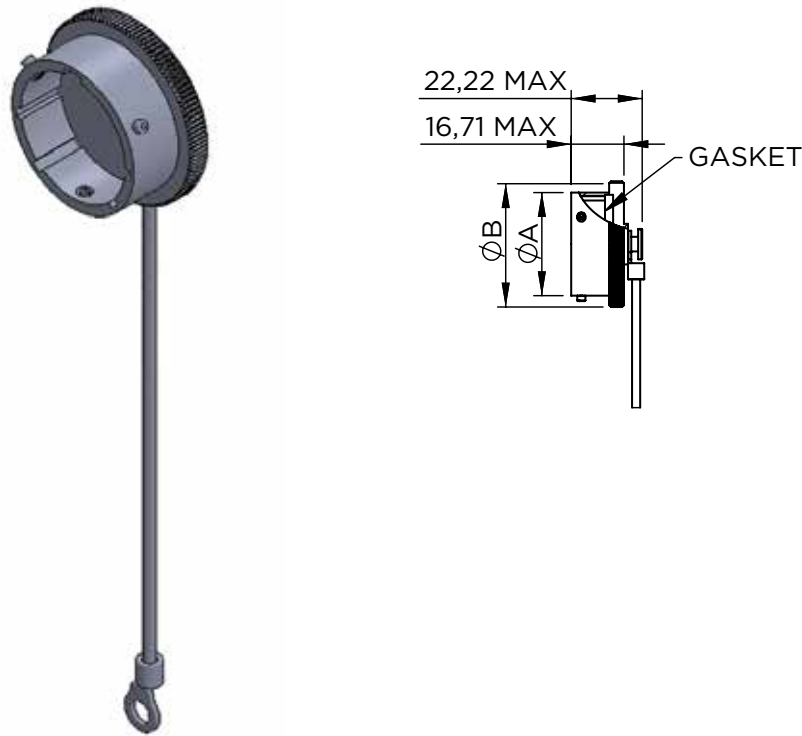


TABLE 1

Shell Size	ØA Max	ØB Max
08	12,04	18,26
10	15,02	21,44
12	19,08	25,40
14	22,25	28,58
16	25,43	31,75
18	28,61	34,92
20	31,78	38,10
22	34,95	41,28
24	38,13	44,45

All dimensions in mm

PPC810 16 S 1-C C 4 E01

SERIES DESIGNATOR ——— PPC810

SHELL SIZE ——— 16

GRIP OPTION (SEE PAGE 5 (BROCHURE) FOR OPTIONS) ——— S
R Arctic Grip
S Standard Knurl

MATERIAL AND FINISH ——— 1-C
1-B Aluminum / Cadmium Olive
 Drab Electroless Nickel
1-C Aluminum / Electroless Nickel
1-ZN Aluminum / Zinc Nickel Black
 Passivate over Electroless Nickel
1-ZB Aluminum / Zinc Cobalt
 over Electroless Nickel

ATTACHMENT CODE ——— E01
B Crimp Ferrule
E Eyelet
E01: 3.2
E03: 4.3

LANYARD LENGTH IN INCHES ——— 4
3" 76.2 mm
4" 101.6 mm
5" 127.0 mm
12" 304.8 mm

LANYARD TYPE ——— C
A Black Cord to MIL-C-5040 Type 1A
B Olive Drab Cord to MIL-C-5040-1-A-C
C Insulated Stainless Steel Wire Rope, Passivated
D Stainless Steel Link Chain, Passivated

810 Series Receptacle



TABLE 1

Shell Size	ØA Max	Recommended Ring Sizes
08	18,64	C08, C10
10	21,82	C10, C12
12	25,40	C12, C14
14	28,58	C14, C16
16	31,75	C16, C18
18	34,92	C18, C20
20	38,10	C20, C22
22	41,28	C22, C24
24	44,45	C24

TABLE 2

PCR Ring Code	ØC
C08	15,10
C10	18,00
C12	22,60
C14	25,80
C16	28,80
C18	32,00
C20	35,00
C22	38,30
C24	41,70

All dimensions in mm

PRC810 16 S 1-C C 4 E01

SERIES DESIGNATOR — PRC810

SHELL SIZE — 16

GRIP OPTION (SEE PAGE 5 (BROCHURE) FOR OPTIONS) — S

MATERIAL AND FINISH — 1-C

- 1-B** Aluminum / Cadmium Olive
Drab Electroless Nickel
- 1-C** Aluminum / Electroless Nickel
- 1-ZN** Aluminum / Zinc Nickel Black
Passivate over Electroless Nickel
- 1-ZB** Aluminum / Zinc Cobalt
over Electroless Nickel

ATTACHMENT CODE — C

- B** Crimp Ferrule
- C** PCR Ring
- E** Eyelet
- E01:** 3.2
- E03:** 4.3

LANYARD LENGTH IN INCHES — 4

- 3"** 76.2 mm
- 4"** 101.6 mm
- 5"** 127.0 mm
- 12"** 304.8 mm

LANYARD TYPE — E01

- A** Black Cord to MIL-C-5040 Type 1A
- B** Olive Drab Cord to MIL-C-5040-1-A-C
- C** Insulated Stainless Steel Wire Rope, Passivated
- D** Stainless Steel Link Chain, Passivated

M85049/128 Bandstraps

Banding termination solution



TE Connectivity (TE) offers a selection of M85049 qualified banding straps. The M85049 industry standard is used on commercial and military circular backshells. The band strap termination system provides ease of installation and repair. TE offers the corrosion-resisting steel bands in four styles to help meet your shield termination needs and termination tool of your choice.

INDUSTRY STANDARD

- Meets M85049 NAVAIR standards

RELIABLE

- Time tested design has been used in Mil-Spec applications for years
- Corrosion resistant stainless steel

EASY TO USE

- Band straps available flat for side entry or precoiled for end entry
- Side-entry band straps allow easier installation and repair

VERSATILE

- Four band strap styles



M85049/128 Bandstraps

Description	TE Commercial Part Number	M85049/128	VG 95319-1015
2 Step Standard Band Straight	BND-1225-S	M85049/128-1	A101
2 Step Standard Band Pre Coiled	BND-1225-P	M85049/128-2	—
1 Step Standard Band Straight	BND-1425-S	M85049/128-3	A001
1 Step Standard Band Pre Coiled	BND-1425-P	M85049/128-4	—
1 Step Standard Band Extended - Straight	—	—	A002
1 Step Standard Band Extended - Pre Coiled	—	—	—
2 Step Micro Band Straight	BND-1012-S	M85049/128-5	A102
2 Step Micro Band Pre Coiled	BND-1012-P	M85049/128-6	—
1 Step Micro Band Straight	BND-0812-S	M85049/128-7	A003
1 Step Micro Band Pre Coiled	BND-0812-P	M85049/128-8	—
1 Step Micro Band Extended - Straight	BND-1412-S	—	A004
1 Step Micro Band Extended - Pre Coiled	BND-1412-P	—	—
2 Step Micro Band Extended - Straight	BND-1212-S	—	A103
2 Step Micro Band Extended - Pre Coiled	BND-1212-P	—	—

Visit [TE.com](https://www.te.com) for cross reference information.

Split Banding Ring

Rugged, lightweight, 2-piece snap lock side entry shield termination device



RUGGED

- Utilizes high performance engineering plastic
- Mechanical strength helps to protect cable bundle from physical damage

VERSATILE

- Utilizes band straps or in combination with various solder devices and heat shrink molded shapes

EFFICIENT

- 2 Piece snap lock design is quick and simple to install

RELIABLE

- When used with TE's band strap, it offers both a highly reliable electrical termination as well as an outstanding mechanical joint

FULLY COMPLIANT

- Meets performance requirements of SAE AS-85049/93

TE Connectivity's (TE) Split Banding Ring provides a lightweight, rugged, reliable electrical termination where braid sock, individual or a combination of screen braids are required to be terminated away from the backshell.

The 2-piece design uses a high performance engineering plastic that snaps together providing an excellent mechanical joint, including protection of the cable harness under the terminated area.

Its versatility allows the use of TE's standard band strap as well as strain relief and shield termination products, including solder devices and heat shrink molded shapes.

APPLICATIONS/MARKETS SERVED

- Military Avionics
- Commercial Avionics
- Military Ground Vehicles
- C4ISR
- Radar Systems

ENVIRONMENTAL

- **Temperature Range:** -65°C to +175°C

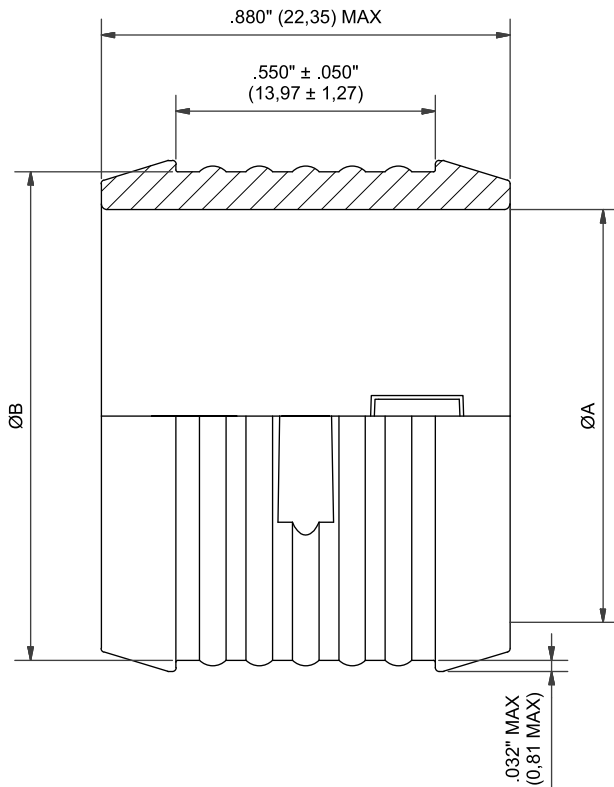
MATERIALS

- Lightweight rugged engineering plastic

STANDARDS

- **MIL Spec:** SAE AS 85049/93
- **Product Spec:** BND93

Split Banding Ring



QPL PART NUMBER:
(QUALIFICATION PENDING)

M85049/93-10

SERIES _____
DASH NUMBER _____

INTERNAL TE PART NUMBER:

BND-SR-10

SERIES _____
DASH NUMBER _____

QPL PART NUMBER

TE PART NUMBER

DIMENSIONS

Dash Number	Part Number	Description	Part Number	Description	$\varnothing A$	$\varnothing B$
04	EM6341-000	M85049/93-04	AAE3171-00	BND-SR-04	.250" (6.35)	.390" (9.90)
06	EM6342-000	M85049/93-06	AAE3172-00	BND-SR-06	.375" (9.52)	.515" (13.10)
08	EM6343-000	M85049/93-08	AAE3173-00	BND-SR-08	.500" (12.70)	.640" (16.30)
10	EM6344-000	M85049/93-10	AAE3174-00	BND-SR-10	.625" (15.88)	.770" (19.60)
12	EM6345-000	M85049/93-12	AAE3175-00	BND-SR-12	.750" (19.05)	.903" (22.90)
14	EM6347-000	M85049/93-14	AAE3176-00	BND-SR-14	.875" (22.22)	1.043" (26.50)
16	EM6348-000	M85049/93-16	AAE3177-00	BND-SR-16	1.000" (25.40)	1.173" (29.80)
18	EM6349-000	M85049/93-18	AAE3178-00	BND-SR-18	1.125" (28.58)	1.310" (33.30)

Dummy Receptacles, Blanking Cans and Extenders



Description

TE's POLAMCO dummy connector receptacles, blanking cans, and adaptors provide reliable solutions for harsh environments.

FEATURES

- Lightweight
- Rugged products
- Mechanical protection
 - Connectors in the unmated condition, for both black box and harness applications
 - Blanking cans to protect loopbacks or electrical components
- Full range of shell sizes
- Materials and platings to meet the demanding needs of specific customer applications

ROBUST

- Designed for harsh environments

MULTIPLE CONFIGURATIONS

- Available in different material and plating finishes
- Available in different shell sizes

ENHANCED CONNECTOR PROTECTION

- Helps to protect connector against dust, foreign objects, moisture intrusion when in the unmated condition

APPLICATIONS

- Avionic Systems
- C4ISR
- Radar Systems
- Ground Vehicles
- Missile Launch Platforms
- Weapons Systems

SPECIFICATIONS DESIGNED MEET

- MIL-DTL-38999 Series I,II, III
- EN3645
- MIL-DTL-24682 Series I, II
- MIL-DTL-83723 Series I, II
- PAT 105 / PAT 603

Dummy Receptacles – Square Flange

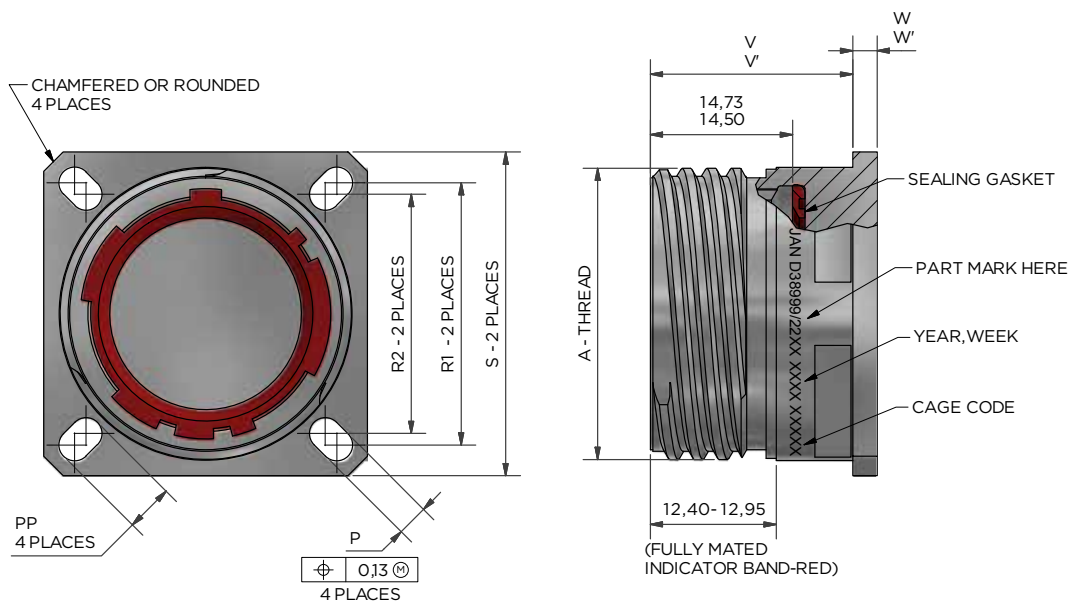


TABLE 1

Shell Size	Shell Size Code	To Suit Key Arrangement	A Thread - 2A	P ± 0,20	PP ± 0,20	R1	R2	S ± 0,30	V + 0,00 -0,13	V' + 1,40 -0,00	W ± 0,30	W'
9	A1	N, C, E	0.6250-0.1P-0.3L-TS	3,25	5,49	18,26	15,09	23,80	20,83	19,50	2,50	3,65/2,20
9	A2	A, B, D	0.6250-0.1P-0.3L-TS	3,25	5,49	18,26	15,09	23,80	20,83	19,50	2,50	3,65/2,20
11	B	ALL	0.7500-0.1P-0.3L-TS	3,25	4,93	20,62	18,26	26,20	20,83	19,50	2,50	3,65/2,20
13	C	ALL	0.8750-0.1P-0.3L-TS	3,25	4,93	23,01	20,62	28,60	20,83	19,50	2,50	3,65/2,20
15	D	ALL	1.0000-0.1P-0.3L-TS	3,25	4,39	24,61	23,01	31,00	20,83	19,50	2,50	3,65/2,20
17	E	ALL	1.1875-0.1P-0.3L-TS	3,25	4,93	26,97	24,61	33,30	20,83	19,50	2,50	3,65/2,20
19	F	ALL	1.2500-0.1P-0.3L-TS	3,25	4,93	29,36	26,97	36,50	20,83	19,50	2,50	3,65/2,20
21	G	ALL	1.3750-0.1P-0.3L-TS	3,25	4,93	31,75	29,36	39,70	20,07	18,70	3,20	4,35/2,90
23	H	ALL	1.5000-0.1P-0.3L-TS	3,91	6,15	34,93	31,75	42,90	20,07	18,70	3,20	4,35/2,90
25	J	ALL	1.6250-0.1P-0.3L-TS	3,91	6,15	38,10	34,93	46,00	20,07	18,70	3,20	4,35/2,90

TABLE 2

Code	Material
1	Aluminum
2	Nickel Aluminum Bronze
4	Stainless Steel
7	Black Acetal
73	High Temperature Composite
74	Composite

TABLE 3

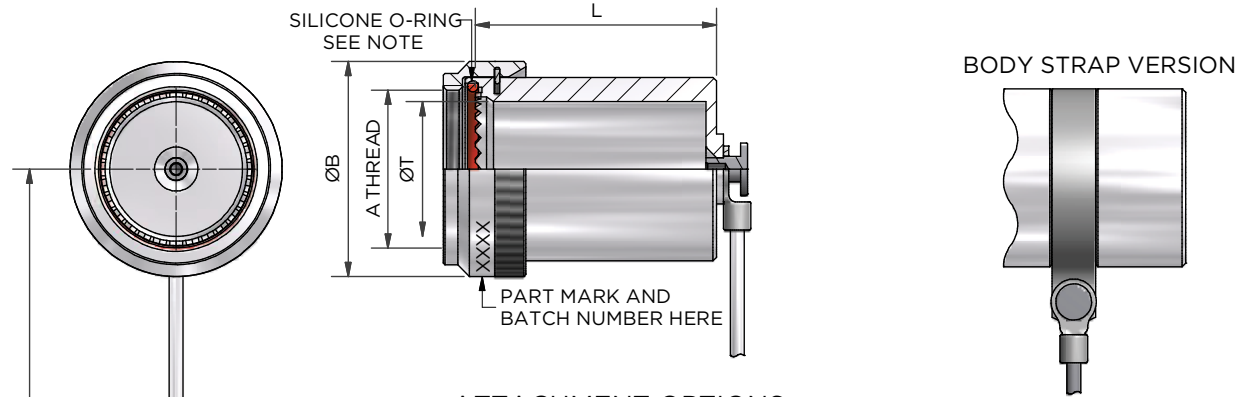
Code	Description
B	Cadmium Olive Drab over Electroless Nickel
C	Electroless Nickel
J	Passivate
U	Unplated Clean Finish Not Shot Blasted
Z	Shot Blast for Non-Reflective Finish
ZB	Zinc Cobalt Olive Drab over Electroless Nickel
ZN	Zinc Cobalt Black Passivate over Electroless Nickel

NOTES:
V (FOR MATERIAL 1,2,4 AND 7)
V' (FOR MATERIAL 73 AND 74)
W (FOR MATERIAL 1,2,4 AND 7)
W' (FOR MATERIAL 73 AND 74)
DIMENSIONS ARE IN MILLIMETERS, EXCEPT "A THREADS" WHICH ARE IN INCHES

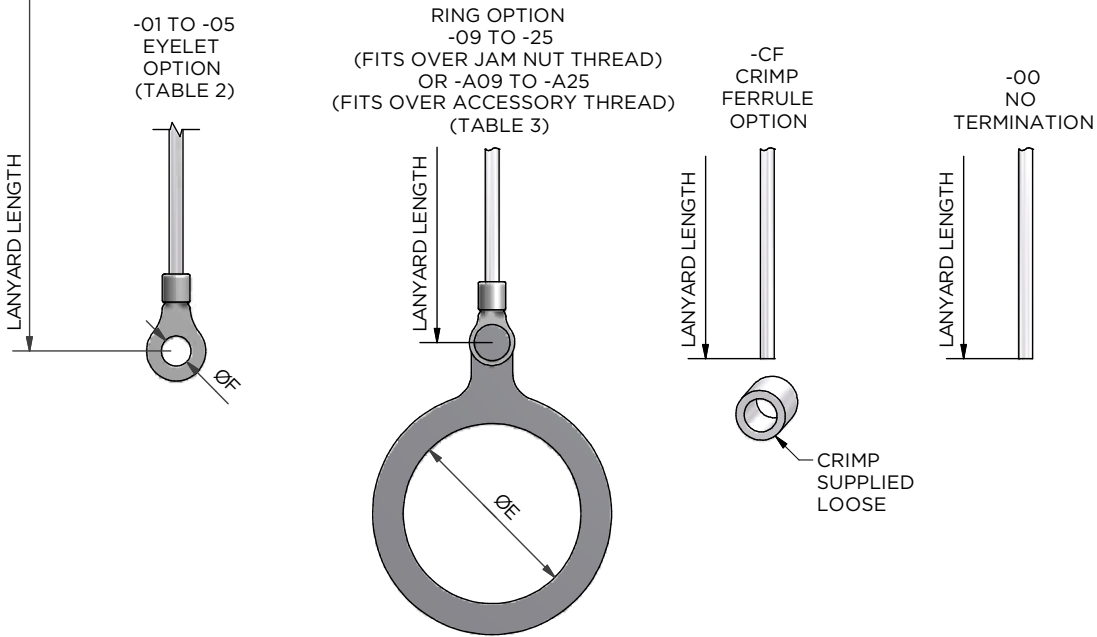


Blanking Cover

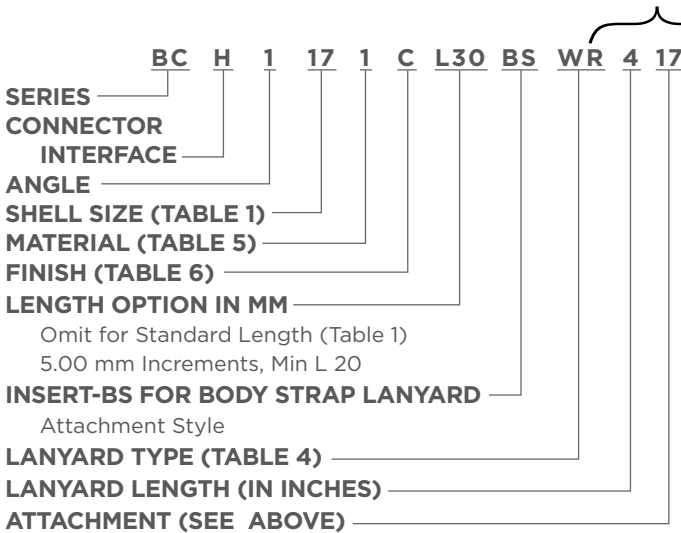
For use with: MIL-DTL-38999 Series III/Series IV/EN3645



ATTACHMENT OPTIONS:

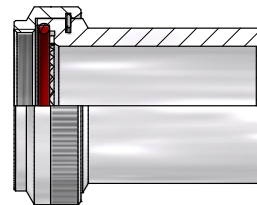


OMIT FOR NO ATTACHMENT

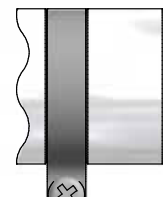


WITHOUT ATTACHMENT

BCH1-17-1-C (-L20)
NO ATTACHMENT VERSION



BCH1-17-1-C (-L20)-BS
BODY STRAP ONLY VERSION
(NO ATTACHMENT)



M3 SCREW
AND
LOCK NUT

Blanking Cover

For use with: MIL-DTL-38999 Series III/Series IV/EN3645

TABLE 1

Shell Size	A Thread	ØB Max	ØT Min	L Standard
09	M12 x 1.0	18,0	6,8	22,5
11	M15 x 1.0	21,0	10,3	26,0
13	M18 x 1.0	24,5	13,6	29,0
15	M22 x 1.0	29,0	16,3	32,0
17	M25 x 1.0	32,5	19,5	35,5
19	M28 x 1.0	35,5	21,9	39,5
21	M31 x 1.0	37,0	25,2	42,0
23	M34 x 1.0	40,0	28,3	45,0
25	M37 x 1.0	43,5	31,5	48,0

TABLE 2

Eyelet Ref	ØF
01	3,2
02	3,7
03	4,3
04	5,3
05	6,4

TABLE 3

To Fit Accessory Thread Ring Ref.	ØE Max	To Fit Jam Nut Thread Ring Ref.	ØE Max
09	15,1	A	18,0
11	18,0	B	21,4
13	19,4	C	25,8
15	22,6	D	28,8
17	25,8	E	32,0
19	28,8	F	35,0
21	32,0	G	38,3
23	34,1	H	41,7
25	40,1	J	44,6

TABLE 4

Code	Lanyard Type
WR	Nylon Covered (Clear) Stainless Steel Wire Rope
TC	Teflon Covered (Clear) Stainless Steel Wire Rope
WG	Teflon Covered (Olive Drab) Stainless Steel Wire Rope
WB	Teflon Covered (Black) Stainless Steel Wire Rope
WRB	PNC Covered (Black) Stainless Steel Wire Rope
LC	Link Chain
BK	Black Cord
VGB	1.5 mm Black Polyester Cord EQV. TO DIN83330-E1,5
R	Olive Drab Polyester Cord
NB	Olive Drab Nylon Cord
NK	Black Nylon Cord

TABLE 5

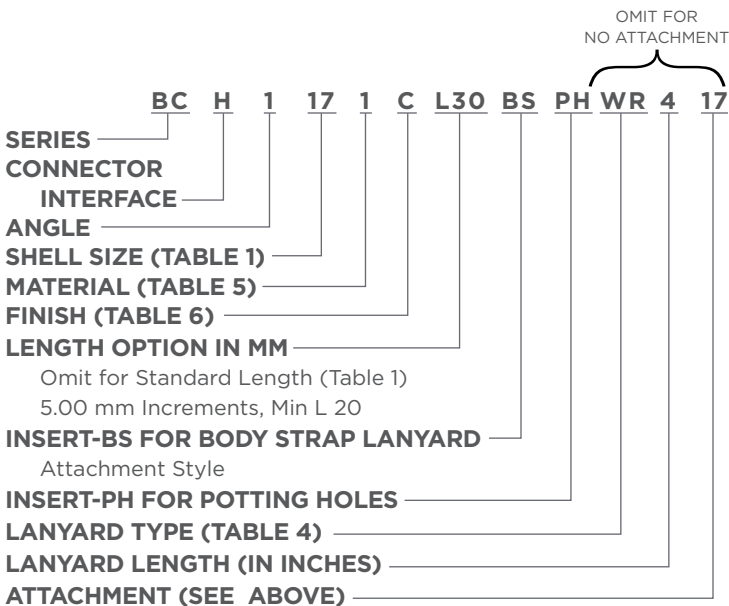
Code	Material
1	Aluminum
2	Nickel Aluminum Bronze
4	Stainless Steel (Supplied with Viton O-Ring)
7	Black Acetal
74	Composite

LIST NOT EXHAUSTIVE, SEE PLATING TABLE ON WEBSITE FOR OTHER OPTIONS

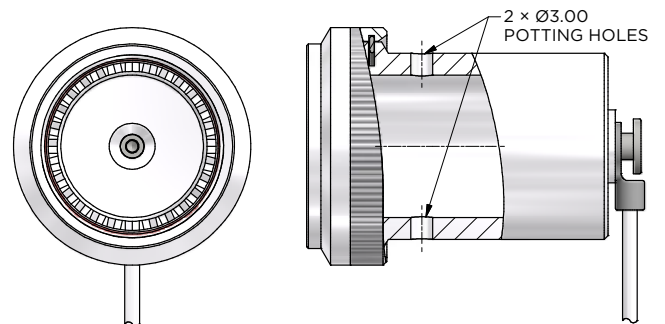
TABLE 6

Code	Material / Plating
B	Cadmium Olive Drab over Electroless Nickel
C	Electroless Nickel
G	Black Anodise, Sulphuric
J	Passivate
U	Unplated Clean Finish not Shot Blasted
Z	Shot Blast for Non-Reflective Finish
ZB	Zinc Cobalt Olive Drab over Electroless Nickel
ZN	Zinc Nickel Black Passivate over Electroless Nickel

LIST NOT EXHAUSTIVE, SEE PLATING TABLE ON WEBSITE FOR OTHER OPTIONS



POTTING HOLE OPTION



DC Series Backshell Extender

For use with: MIL-DTL-38999 Series III/Series IV/EN3645

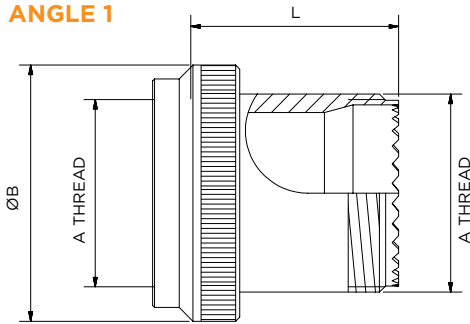


- Extends termination area
- Houses ancillary components such as fuses and service loops

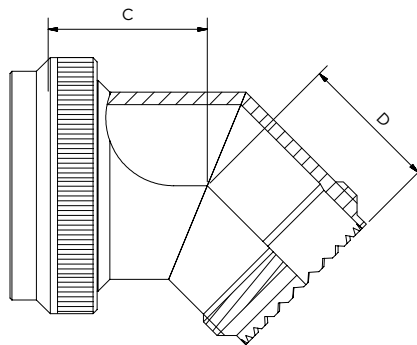
SPECIFICATIONS

- **Screen Termination:** n/a
- **Strain Relief & Cable Sealing:** n/a
- **Additional Components Required:** n/a

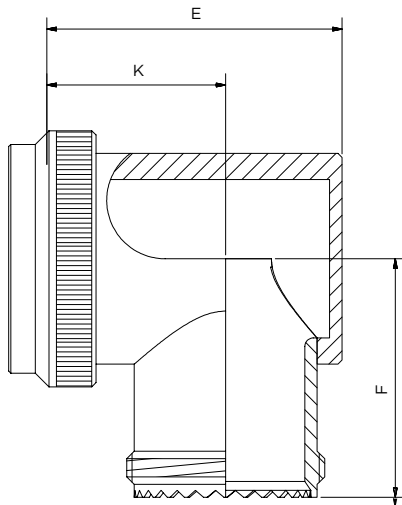
ANGLE 1



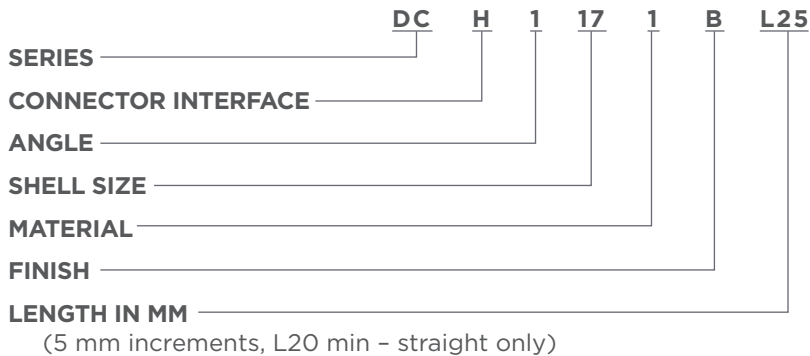
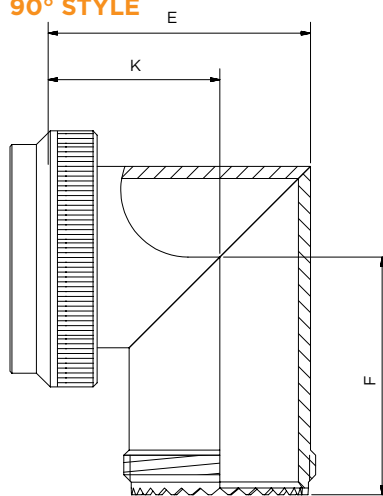
ANGLE 2



ANGLE 3



STAINLESS STEEL/BRONZE
90° STYLE



PG Thread Adaptor

For use with: MIL-DTL-38999 Series III/Series IV/EN3645



- To convert from military connector to a threaded accessory

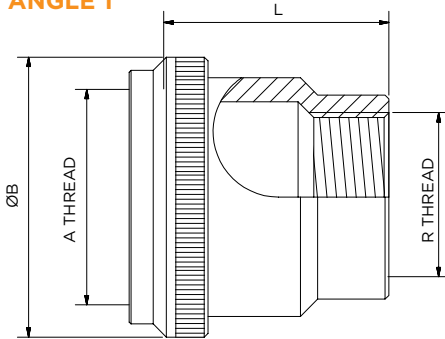
SPECIFICATIONS

- **Screen Termination:** n/a
- **Strain Relief & Cable Sealing:** n/a
- **Additional Components Required:** n/a

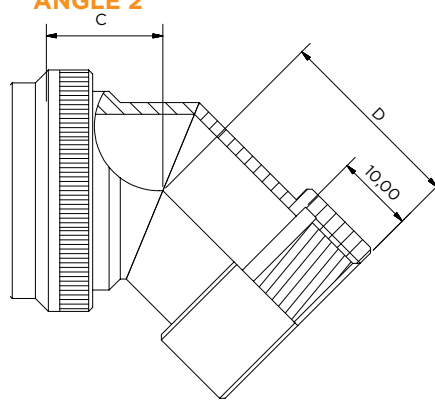
TABLE 1

PG Size	R Thread
7	PG7
9	PG9
11	PG11
13.5	PG13.5
16	PG16
21	PG21
29	PG29
36	PG36
42	PG42
48	PG48

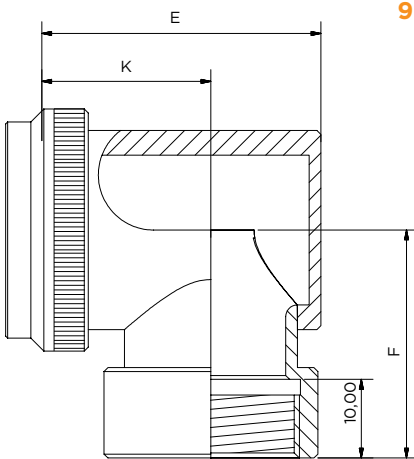
ANGLE 1



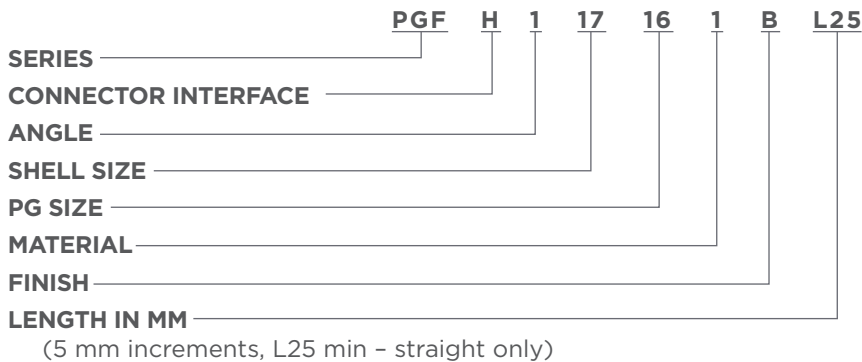
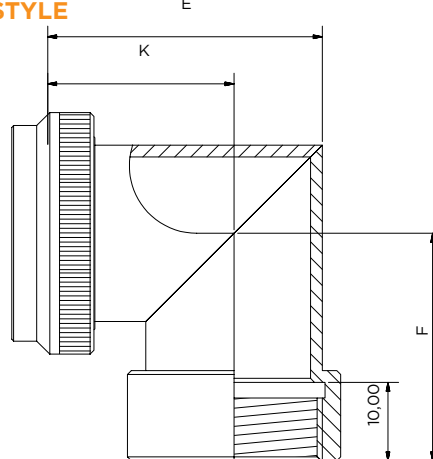
ANGLE 2



ANGLE 3

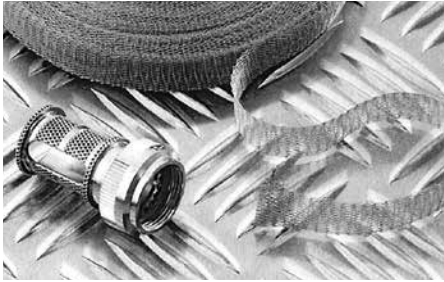


**STAINLESS STEEL/BRONZE
90° STYLE**



Knitted Wire Mesh Tape

Used with KM Series – knit mesh adaptors



Wire mesh EMI shielding tapes are constructed from knitting a fine wire into a double thickness layflat stocking.

The tape is highly flexible, light, corrosion and high temperature resistant, strong and resistant to abrasion and physical damage.

TABLE 1

Material	Wire Diameter
Tinned Copper (BS 4109 with 0.7-1 micron tin plate)	15,10

TABLE 1

Width	Part Number	Roll Length
6 mm	KM (6)	25 m
13 mm	KM (13)	25 m

Notes

Empower Engineers to Solve Problems, Moving the World Forward.

AMP | AGASTAT | CII | HARTMAN | KILOVAC | MICRODOT | NANONICS | POLAMCO | Raychem
SEACON | Rochester | DEUTSCH

Connect With Us

We make it easy to connect with our experts and are ready to provide all the support you need. Visit te.com/support to chat with a Product Information Specialist.

te.com/polamco

AMP, AGASTAT, CII, DEUTSCH, HARTMAN, KILOVAC, MICRODOT, NANONICS, POLAMCO, Raychem, SEACON, TE, TE Connectivity, and TE Connectivity (logo) are trademarks owned or licensed by TE Connectivity. All other logos, products and/or company names referred to herein might be trademarks of their respective owners.

The information given herein, including drawings, illustrations and schematics which are intended for illustration purposes only, is believed to be reliable. However, TE Connectivity makes no warranties as to its accuracy or completeness and disclaims any liability in connection with its use. TE Connectivity's obligations shall only be as set forth in TE Connectivity's Standard Terms and Conditions of Sale for this product and in no case will TE Connectivity be liable for any incidental, indirect or consequential damages arising out of the sale, resale, use or misuse of the product. Users of TE Connectivity products should make their own evaluation to determine the suitability of each such product for the specific application.

© 2020 TE Connectivity Ltd. family of companies All Rights Reserved.

2380574-1 10/20 Original

BACKSHELL AND CONNECTOR ACCESSORIES

TE Connectivity
Aerospace, Defense & Marine
2900 Fulling Mill Road
Middletown, PA 17057